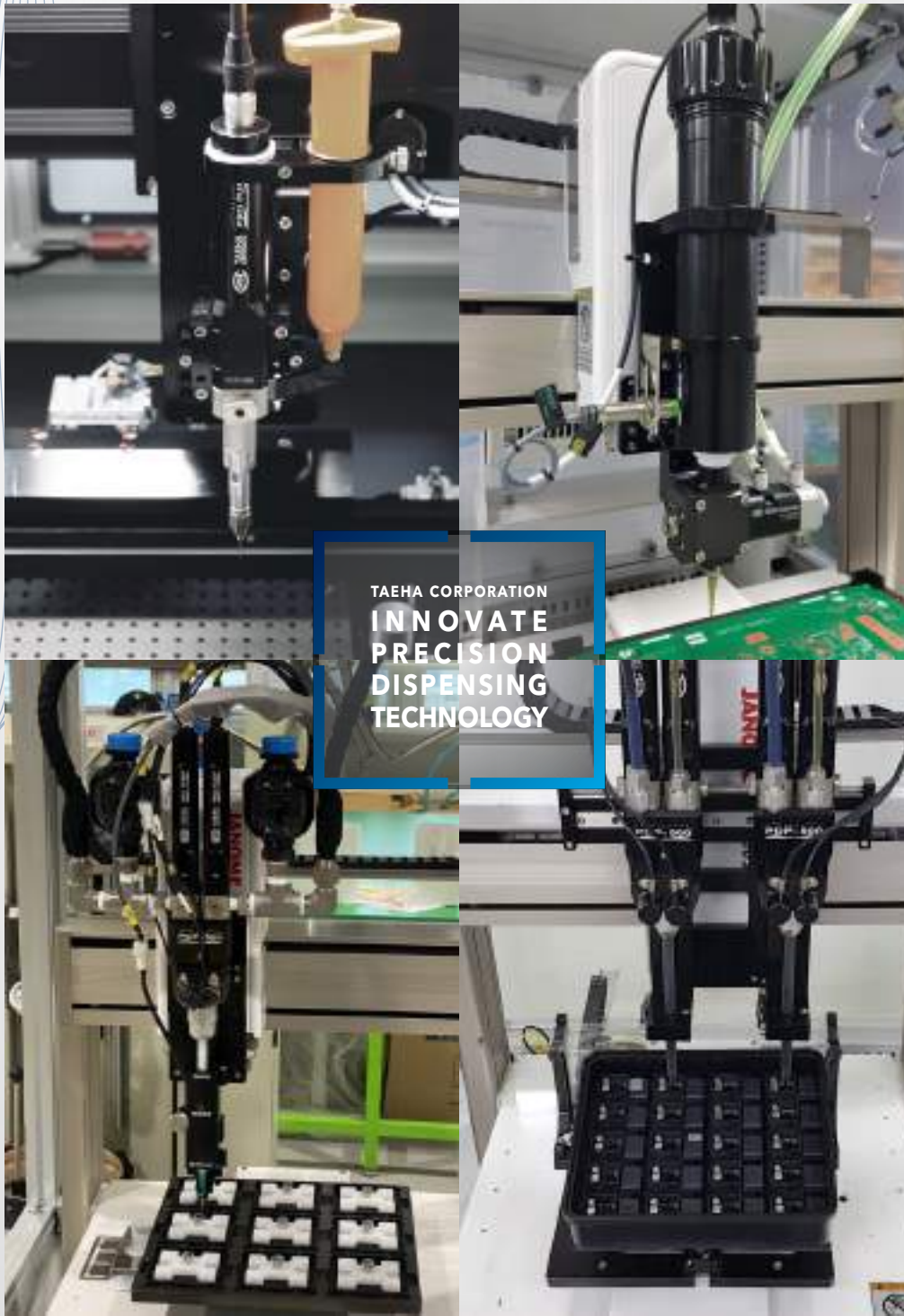




INNOVATE PRECISION DISPENSING TECHNOLOGY

TAEHA CORPORATION Since 1994



“ In order to provide competitive advantage to our customers who are in contact with us, we are constantly working on developing new technologies. We will continue to try to realize the process that customers want to do in the most accurate and efficient way. ”

『Honesty, Credibility, Creative』

Dispensing equipment total solution – TAEHA CORPORATION

TAEHA is the company of specialized in dispensing system total solution with the motto of Honesty, Credibility and Creative. We have designed, manufactured and supplied related dispensing equipment throughout the industry, including electronics, automobiles, bio and machinery, with the conviction of “We respond to customer’s needs with trust and accurate technology”, the various countries including domestic company.

Dispenser is a complex of various technologies such as machinery, control and chemistry etc, and is an industry that requires continuous research and new technologies and techniques. Now we are constantly developing new products and technologies to meet customer’s needs and are focusing on developing in to a world-class dispensing equipment total solution company with a strong foundation and a wide variety of applications

We will continue to strive to become a company that works hard with faith.

Thanks!

CEO **Kiryong Han**



Precision Dispensing System

Dispensing system has a wide variety of solutions. So there are various products and many kinds of selection method, and the materials used in dispensers are also diverse. The user must consider all of conditions in order to achieve the best solution for their work

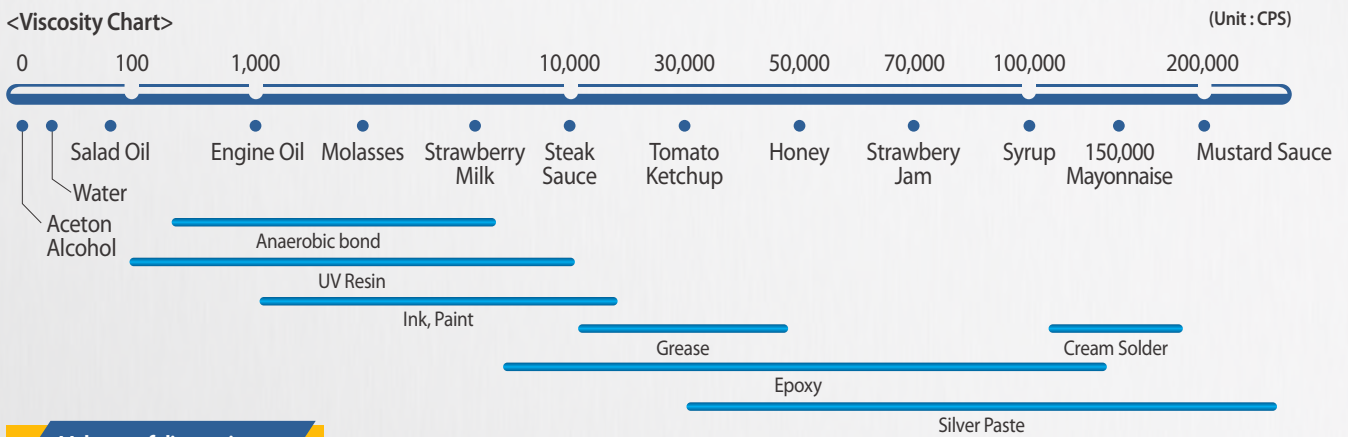
Material

■ Type

Cyano type bond(adhesive), 1K Epoxy, 2K Epoxy, Anaerobic bond, UV bond, RTV Silicone etc.
Each material has very different characteristics so it is needed to select a suitable system.
Consulting with engineers to select the best system for the material and work process.

■ Viscosity

The viscosity of the material is the most important consideration in selecting the system. From low viscosity materials such as water to high viscosity materials on the paste, viscosity is a must-know information from the beginning of the system selection. However, if not sure, you can roughly convert viscosity of the material that you can easily access in daily life by referring below viscosity table.



Volume of dispensing

Dispensing volume and rates of error must be accurate.
ex) Dispensing volume 0.1ml, less than $\pm 10\%$ (1ml=1cc)

Please refer to the visualization of the dispensing volume and figure as below.

■ Dots

Volume of a dot = $\frac{1}{2}$ the volume of a sphere = $v = .2618d^3$
→ | ← : diameter of dot(d)

dot	•	•	•	•	•	•	•	•	•	•
Volume(CC)	0,0003	0,0001	0,0005	0,003	0,009	0,021	0,029	0,046	0,059	0,075
mm	0,5	0,8	1,3	2,3	3,3	4,3	4,8	5,6	6,1	6,6
inches	0,02	0,03	0,05	0,09	0,13	0,17	0,19	0,22	0,24	0,26

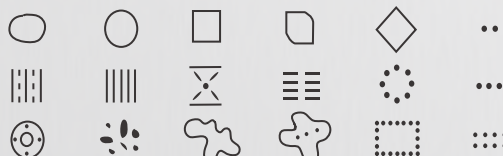
■ Lines

Volume of a line = $\frac{1}{2}$ the volume of a cylinder = $v = \frac{1}{2} \pi r^2 l$ ($\pi = 3,1416$)

Diagram	Width	Volume(cc)
	0,5mm wide	0,00098
	1mm wide	0,00393
	1,5mm wide	0,0088
	2mm wide	0,157
	2,5mm wide	0,245

Figure of dispensing

It can be produced with Shower Needle, Special made Needle, X-Y-Z robot system and etc, to create various figure of dispensing.



CONTENTS



INTRO

Greetings	02-03
How to select, Contents page	04-05

PRO-PUMP SERIES

PRO-PUMP Principal & Feature	06-07
PCP Series 1K PRO-PUMP	08-11
PDP Series 2K PRO-DUO PUMP	12-15
PRO-PUMP CONTROLLE	16-18
PRO-PUMP ACCESSORIE	20-23
PSP Series	24-25

SPEC SERIES

SPEC-QV	27
SPEC-PP	28-29
SPEC-CP	30-31
SPEC-SV	32-33
SPEC-NP	34-35
SPEC-PROCURE, SPEC-H	36-37
SPEC-1,2,3,4	38-39

DISPENSING UNIT

THE Series	40-41
TP-50, RDU-200	42-43
DV Series	45-51

MATERIAL FEEDING SYSTEM

TANK SSR/SSF Series	52-53
MFS/MFE Series	54-57
PRO-CP Series	58-59

DISPENSING SYSTEM

SEMI-AUTO SYSTEM	60-61
PROS-100, VDS	62-65

ACCESSORIES

TIPS & NOZZLES	67-69
BARREL & ACC.	70-71
CARTRIDGE, ACC. & OTHERS	72-74

OUTRO

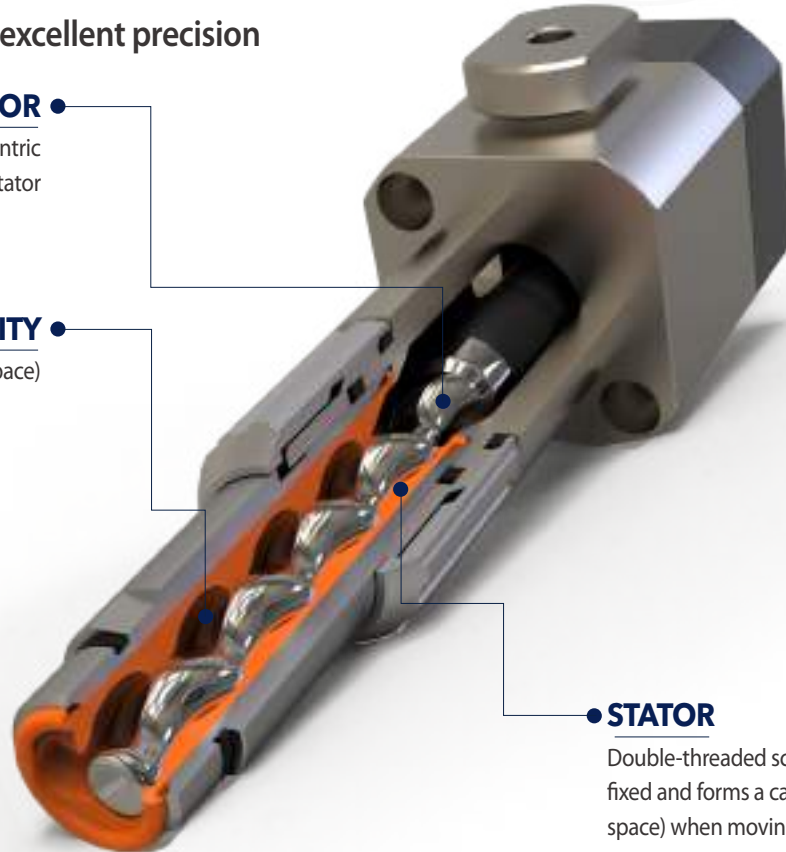
HISTORY	76-77
GLOBAL NETWORK	78-79

PRO-PUMP Principle & Features

Progressive cavity pumps allow accurate metering/feeding/dispensing of materials that are difficult release due to their innovative structure and excellent precision

ROTOR ●
Single-threaded screw. Eccentric rotation when moving with stator

CAVITY ●
(Sealed space)



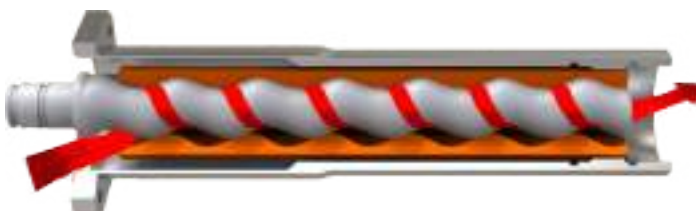
STATOR ●
Double-threaded screw, Stator is fixed and forms a cavity (sealed space) when moving with rotor.

“The combination of rotor and stator makes √Non-pulsating conveyance and √Precise metered displacement”



<Movement of cavity through 180° rotation of rotor>

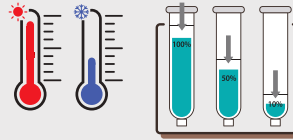
Since the cross-sectional area of cavity is always constant regardless of the position of the rotor, dispensing volume is also constant and dispensing volume per unit time is in direct proportion to rotation speed of rotor.



The cavity made by combination of rotor and stator is moved forward by the rotation of the rotor. Then, vacuum and pressure are generated at each of the pump inlet and outlet, resulting in successively dispensing of the material.

Accurate and consistent dispensing of material regardless of environmental factors

Due to the environment, materials are dispensed accurately and consistently even if viscosity changes or differential head changes in the container.



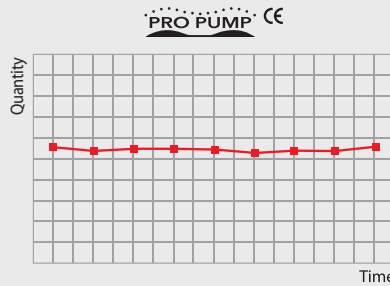
Clean dispensing without ball-up effect at the nozzle tip

The snuff-back function, which snuff back the material drop formed, eliminates or minimizes ball-up at the nozzle tip.



Consistent dispensing with non-pulsating by the movement of rotor and stator

Regardless of the position of the rotor, the cross-sectional area of constant cavity always create a constant pressure so that the exact metered volume can be dispensed consistently.



Even dispensing by precise metering of materials that are difficult to dispense by using gear pump or pneumatic valve

Precise volume of material with filler is dispensed without impairing fillers under the cavity displacement dispensing process.



Disassembly and reassembly for maintenance and cleaning is easy because of simple structure of the pumping unit.



PCP-Series 1K PRO-PUMP®



Item \ Model	PCP-005	PCP-015	PCP-050	PCP-150	PCP-500
Dimension (WxHxD) (mm)	27 x 27 x 230			29 x 29 x 280	
Weight	400g			650g	
Input Pressure	0 ~ 0,6MPa				
Max Dosing Pressure	3,0MPa	2,0MPa		1,0MPa	
Viscosity	1 ~ 1.000,000 cPs				
Dosing Volume/Rev	≒0,0049ml	≒0,017ml	≒0,049ml	≒0,17ml	≒0,45ml
Motor Speed	1 ~ 120rpm				
Dosing Accuracy	± 1%				
Material of Stator	PF, F, EP, UPE, EPPF, EPUPE, FPF, FUPE, TPE, EPA				
Material Inlet Port	Inlet Adapter or Tap Type(BSPT 1/4)				
Material Outlet Port	LUER LOCK or BSPT 1/8				
Controller	PROCON-100				





Item	Model	PCP-1000	PCP-1500	PCP-2000	PCP-5000	PCP-15000
Dimension (WxHxD) (mm)		29 x 29 x 312	45 x 45 x 430	60 x 60 x 580		70 x 70 x 730
Weight		700g	2.5kg	5.0kg		8.0kg
Input Pressure		0 ~ 0.6MPa				
Max Dosing Pressure		1.2MPa	2.0MPa	2.5MPa	2.0MPa	
Viscosity		1 ~ 1,000,000 cPs				
Dosing Volume/Rev		≒1.1ml	≒1.8ml	≒2.2ml	≒5.5ml	≒15.5ml
Motor Speed		1 ~ 120rpm	1 ~ 150rpm			
Dosing Accuracy		± 1%				
Material of Stator		PF, F, EP, UPE, EPPF, EPUPE, FPF, FUPE, TPE, EPA				
Material Inlet Port		Inlet Adapter or BSPT 1/4	Inlet Adapter or BSPT 1/2	BSPT 1/2		BSPT 3/4
Material Outlet Port		LUER LOCK or BSPT 1/4	LUER LOCK or BSPT 3/8	BSPT 1/2		BSPT 3/4
Controller		PROCON-100	PROCON-1000			

PRO-PUMP PCP series is a compact and innovative 1-component dispenser that delivers excellent accuracy to the dosing of difficult materials.

Because there is a perfect sealed space between the rotor and stator, it can maintain a higher degree of vacuum compared to the gear pump, so it has excellent material suction capability.

Non-pulsation, this can keep flow rate very constant.

The volume of the conveyed material is in proportion to the rotation speed of rotor, regardless of dosing pressure, so adjusting the number of rotor's rotations allows accurate conveyance and dispensing of materials which are difficult to handle.

PRO-PUMP can work without any valves and also the conveyance of material can be reversed.

TAEHA's innovate rubber forming technology makes it easy to dispense material containing filler of high degree.

(High Filler Stator, High Filler Rotor)



PCP BARREL MODULE SYSTEM
BARREL (30,50,70,100,200,300cc)



Material feeding : Barrel	Capacity(cc)
	30
	50
	70
	100
	200
300	

※ See the page of 70 for details

We provide the best dispensing
with the most suitable material
for the material and

<1K System



PCP CAN PUMP SYSTEM
CAN PUMP(1,3,5,18kg Can)



Material Feeding : Can Pump	Capacity (kg)
	1.0
	3.0
	5.0
	18.0

※ See the page of 30,31 and 58 for details



system by combining the PCP series feeding container/device/equipment dosing conditions.

PCP CARTRIDGE MODULE SYSTEM

CARTRIDGE
(170,340,650,1000cc,Sealant 330cc)

Configuration>



	Capacity (cc/Oz)
Material feeding: Cartridge	170 / 6
	340 / 12
	650 / 20
	1000 / 32
	Sealant Cartridge(330cc)

※ See the page of 72-73 for details



PCP TANK SYSTEM

TANK (1, 3, 5, 10, 20L)



	Capacity (L)
Material Feeding : Pressure Tank	1.0
	3.0
	5.0
	10.0
	20.0

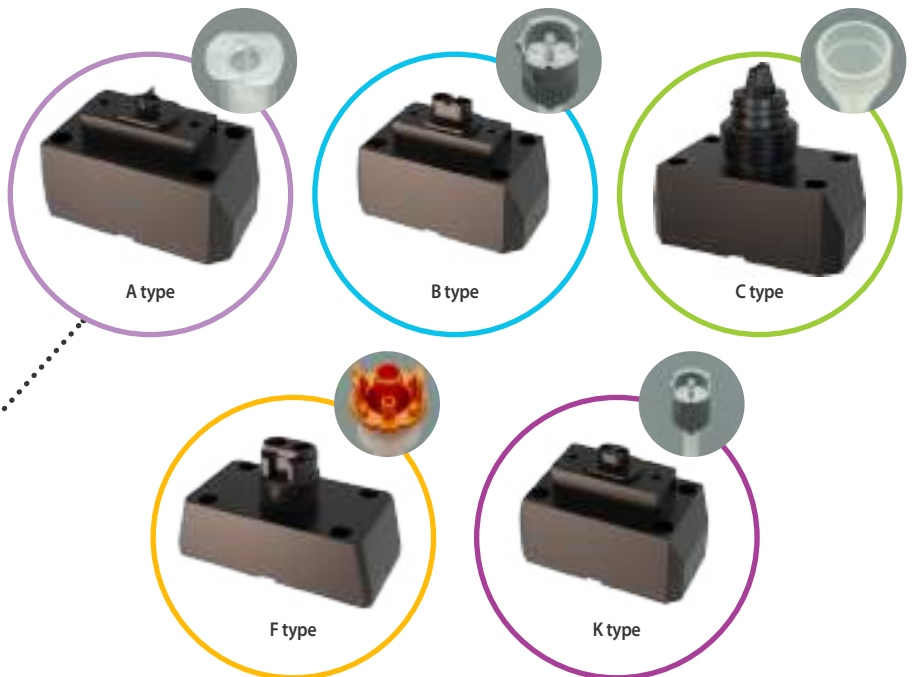
※ See the page of 52-23 for details

PDP-Series 2K PRO-DUO PUMP®



Item	Model	PDP-005	PDP-015	PDP-050	PDP-150
Dimension (WxDxH) (mm)		60 x 30 x 260			67 x 35 x 310
Weight		1.12kg			1.66kg
Input Pressure		0 ~ 0.6MPa			
Max Dosing Pressure		2.0MPa			
Viscosity		10~ 300,000 cPs			
Dosing Volume/Rev		≒0.01mL	≒0.03mL	≒0.10mL	≒0.30mL
Motor Speed		1 ~ 120rpm			
Dosing Accuracy		± 2%			
Material of Stator		PF, F, EP, UPE, EPPF, EPUPE, FPF, FUPE, TPE, EPA			
Material Inlet Port		Inlet Adapter or Tap Type(BSPT 1/4)			
Material Outlet Port		Mix Adapter A/B/C/F/K type			
Controller		PDC-100			

Mix adapter The Mix adapter, which is installed when applying a static mixer to the PRO-DUO PUMP, has different models depending on the type of static mixer and mix ratio of 2K materials.





Item	Model	PDP-500	PDP-1000	PDP-1500	PDP-2000	PDP-5000
Dimension (WxDxH) (mm)		67 x 35 x 310	67 x 35 x 340	100 x 45 x 390	170 x 65,6 x 600	
Weight		1,66kg	1,8kg	5,0kg	12,5kg	
Input Pressure		0 ~ 0,6MPa				
Max Dosing Pressure		1,0MPa	1,2MPa	2,0MPa		
Viscosity		10~300,000 cps			10~500,000 cps	
Dosing Volume/Rev		≒1,0ml	≒2,0ml	≒3,0ml	≒4,0ml	≒10,0ml
Motor Speed		1 ~ 120rpm	1 ~ 150rpm			
Dosing Accuracy		± 2%				
Material of Stator		PF, F, EP, UPE, EPPF, EPUPE, FPF, FUPE, TPE, EPA				
Material Inlet Port		Inlet Adapter or Tap Type(BSPT 1/4)		Inlet Adapter or Tap Type(BSPT 3/8)		Tap Type(BSPT 3/8)
Material Outlet Port		Mix Adapter A/B/C/F/K type			Mix Adapter C/F type	
Controller		PDC-100		PDC-1000		

PRO-DUO PUMP series is a compact and innovative 2-component dispenser that delivers excellent accuracy to the dispensing of difficult materials. This volumetric pump that allows the user to directly control the mix ratio of the 2-component materials

It has originality eccentric screw structure, so it is dispensed steadily by mixing 2-component material for a long time. It is highly efficient, reproducible, accurate and high degree of precision compared to other volumetric pumps. The volume of dosing can be adjusted quickly and easily with the control of the rotation and speed of the rotor. Possible to be applied to various situations, such as viscosity or mixing ratio difference between 2-component materials. Replacing the disposable mixer instead of cleaning the pump itself makes maintenance easier and economical dispensing possible.



The PDPX series is a pump that is applied when the viscosity difference or mixing ratio between the two components is big, and is produced by combining pumps of different capacities. There are various X-combinations of pumps and please consult with our sales representative before producing pumps.



PDP BARREL MODULE SYSTEM
BARREL (300,200,100,70,50,30cc)



Material feeding : Barrel	Capacity(cc)
	30
	50
	70
	100
	200
300	

※ See the page of 70 for details

We provide the best dispensing system with the most suitable material feeding for the 2K material and

<2K System



PDP CAN PUMP SYSTEM
DUAL CAN PUMP(1,3,5,18kg Can)



PRO-CPD20(20L Dual Can Pump)

Material Feeding : Can Pump	Capacity (kg)
	1.0
	3.0
	5.0
	18.0

※ See the page of 70 for details



by combining the PDP series container/device/equipment dosing conditions.

PDP CARTRIDGE MODULE SYSTEM

CARTRIDGE (170,340,650,1000cc,Sealant 330cc)

Configuration>



	Capacity (cc/Oz)
Material feeding: Cartridge	170 / 6
	340 / 12
	650 / 20
	1000 / 32
	Sealant Cartridge(330cc)

※ See the page of 72-73 for details



PDP TANK SYSTEM

DUAL TANK (5, 10, 20, 30, 40, 60L)

	Capacity (L)
Material Feeding : Pressure Tank	5
	10
	20
	30
	40
	60

※ See the page of 52-53 for details



MFEV2(2K Material Feeding Equipment, Vacuum type)

MFSV2(2K Material Feeding System, Vacuum type)

PRO-PUMP CONTROLLER

PRO PUMP CONTROLLER 1K PROCON Series



PRO-PUMP or PRO-DUO PUMP software for precision and variety of dispensing process. The touch screen makes the data more recognize and easy to operate. 15 channels of memory function provide excellent compatibility with other equipment such as PC and PLC. External interface features enable a variety of works to be performed continuously. Intuitive work setting and data modification for easy operation.



Item	Model	PROCON-100	PROCON-1000
Dimension(WxHxD)		236x92x204(mm)	240x118x210(mm)
Weight		1.8kg	3.2kg
Power		AC 220V 50/60Hz(1Phase)	
Power Consumption		Max. 200VA	
Display		2.8inch TFT LCD	5.0inch TFT LCD
Operating Method		Touch panel, Button, Regulator	
Operating Mode		Time, Steady, Metering	Time, Steady
Memory		15CH	15CH
Air Pressure		0.5MPa	
Inlet Port		One Touch Fitting PC(Ø6, Max. 0.7MPa)	
Outlet Port		Auto Joints (SH-H4)	
Flow sensor & External control		OK	
Input Signal		Contact Input or NPN Open Collector	
End Signal		NPN Open Collector	
Temperature & Humidity		Below 0 ~ 40°C / 80[%]RH (A place where no steam is generated)	
STD Component		Motor Cable, I/O cable, Power cable, Terminal block	
Drawing (Front, Side)			

A control device that can be applied to equipment such as desktop robots, articulated robots, inline systems and etc. to select the method of dispensing and to control the dispensing volume.

**PRO
PUMP**

PRO-DUO PUMP CONTORLLER 2K PDC Series



Item	Model	PDC-100	PDC-1000
Dimension(WxHxD)		240x116x230(mm)	240x118x210(mm)
Weight		3.6kg	3.2kg
Power		AC 220V 50/60Hz(1Phase)	
Power Consumption		Max. 200VA	
Display		4.5inch TFT LCD	4.5inch TFT LCD
Operating Method		Touch panel, Button, Regulator	
Operating Mode		Time, Steady, Purge, Ratio	Time, Steady, Anti, Ratio
Memory		15CH	15CH
Air Pressure		0.5MPa	
Inlet Port		One Touch Fitting PC(Ø6, Max. 0.7MPa)	
Outlet Port		Auto Joints (PH-H4)	
Flow sensor & External control		OK	
Input Signal		Contact Input or NPN Open Collector	
End Signal		NPN Open Collector	
Temperature & Humidity		Below 0 ~ 40°C / 80[%]RH (A place where no steam is generated)	
STD Component		Motor Cable, I/O cable, Power cable, Terminal block	
Drawing (Front, Side)			

Driver-type system that allows users to control dispensing easily in the way they want, such as PC and PLC.

PRO EXTERNAL CONTROLLER



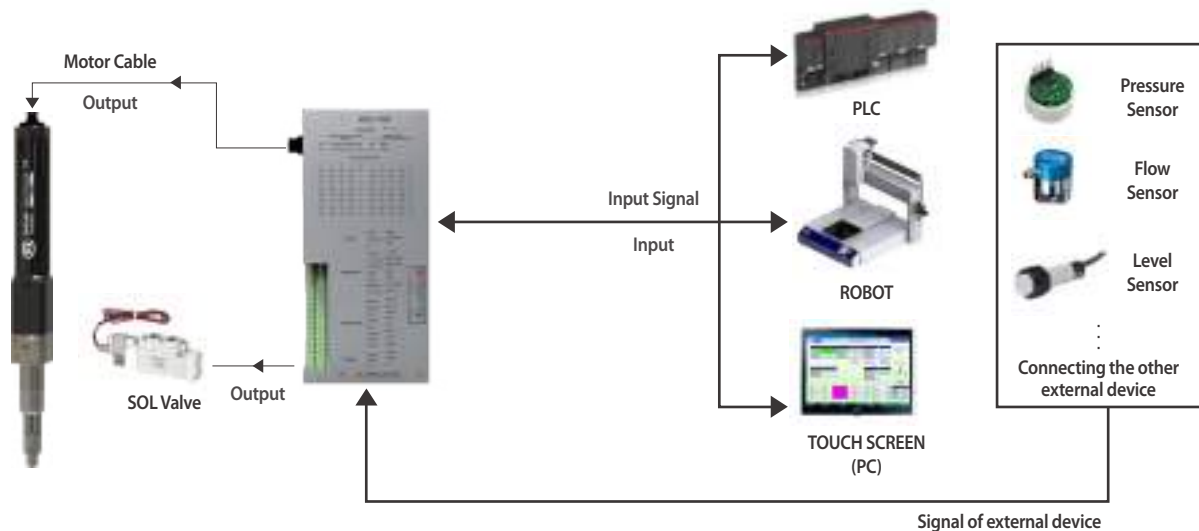
PEC Series

The communication control function (MODBUS) allows you to set the parameter and monitoring on the parent PC. External shot signals can be answered without delay for dispensing of accurate and control. The variable speed can be applied and channels can be changed while the system is in operation, so it is more responsive to various dispensing condition and change. Applications with various sensors such as pressure sensors, residual sensors and flow sensors can be implemented. Various dispensing conditions can be set through the three operating mode(TIME/STEADY/METERING)



Item	Model	PEC-100	PDEC-100
Dimension(WxHxD)		216x100x43(mm)	
Weight		552g	
Power		DC 24V	
Power Consumption		Max 3A	Max 5A
Power(SMPS)		AC220V, 50/60Hz	
Operating Mode		TIME / STEADY / METRING	TIME / STEADY / MIX RATIO
Control		Parent PLC Communication(RS232C) or HMI	
Comm. Protocol		MODBUS(ASCII) – MODBUS LRC	
Available PRO-PUMP		PCP-005 / PCP-015 / PCP-050 PCP-150 / PCP-500 / PCP-1000	PDP-005 / PDP-015 / PDP-050 PDP-150 / PDP-500 / PDP-1000

System Configuration



A photograph of a complex industrial robotic dispensing machine. The machine features several black robotic arms with flexible, braided hoses, positioned over a work area. The background shows a factory or laboratory setting with bright lighting and structural elements. A blue rectangular overlay is centered on the image, containing white text and a logo.

**INNOVATE PRECISION
DISPENSING TECHNOLOGY**

 **TAEHA**

PRO-PUMP ACCESSORIES

Cable



No.	Product Name	Description	Remark
1	Motor Cable	PRO-PUMP to Controller	STD Length: 2m
2	I/O Cable	Controller to External device	STD Length: 2m
3	Pressure Sensor Cable	Controller to Pressure sensor of PRO-PUMP	STD Length: 2m
4	Foot Switch	Connecting to the controller and generating a signal	STD Length: 2m

**Cable length depends on customer's need

Adapter



No.	Product Name	Description	Remark
1	Luer Adapter(STD)	Mounting general/standard type of needle	SUS303
2	Luer Adapter(NUT)	Mounting general/standard/shower/twin type of needle	SUS303
3	No-drip Needle Adapter (STD)	Minimizing material formation at the tip (Mounting general/standard)	EPDM/FLUORO
4	No-drip Needle Adapter (NUT)	Minimizing material formation at the tip (Mounting general/standard/shower/twin type of needle)	EPDM/FLUORO
5	Inlet Adapter (Barrel type)	Used to connect barrel to pump	AL(BK Anodizing)
6	Inlet Adapter (Cartridge type)	Used to connect cartridge to pump	AL(Electroless Nickel Plating)
7	Inlet Adapter(BSPT1/8)	Used to connect tank to pump, the pump and Hose of BSPT 1/8 are connected	AL(BK Anodizing)
8	Inlet Adapter(BSPT3/8)	Used to connect tank to pump, the pump and Hose of BSPT 3/8 are connected	AL(Electroless Nickel Plating)
9	Inlet Adapter (Sealant Cartridge)	Used to connect sealant cartridge to pump	AL(Electroless Nickel Plating)

Collar



No.	Product Name	Description	Remark
1	Nut Collar A (round)	Used when the PN needle needs to be stably fastened	AL(Electroless Nickel Plating)
2	Nut Collar B (oval)	Used when the MN needle needs to be stably fastened	AL(Electroless Nickel Plating)

Pressure Sensor



No.	Product Name	Description	Remark
1	Pressure Sensor	Detect the pressure of the material at the dosing part by installing it in the PDP	0.5~3VDC, PF1/4

The 1K and 2K pumps are configured with a variety of accessories and options to provide the most appropriate application for the work

→ **Barrel/Cartridge Clamp for 1K PRO-PUMP**



No.	Product Name	Description	Remark
1	1K Barrel Clamp	Clamp that serves to hold a barrel in the 1K pump (Different lineups depending on barrel capacity and PCP model)	AL(BK Anodizing)
2	1K Cartridge Clamp	Clamp that serves to hold a cartridge in the 1K pump (Different lineups depending on cartridge capacity and PCP model)	AL(BK Anodizing)

→ **Barrel/Cartridge Clamp for 2K PRO-DUO PUMP**



No.	Product Name	Description	Remark
1	2K Barrel Clamp	Clamp that serves to hold a barrel in the 2K pump (Different lineups depending on barrel capacity and PDP model)	AL(BK Anodizing)
2	2K Cartridge Clamp	Clamp that serves to hold a cartridge in the 2K pump (Different lineups depending on cartridge capacity and PDP model)	AL(BK Anodizing)

→ **Mixer Clip & Mixer Cap for 2K PRO-DUO PUMP**



No.	Product Name	Description	Remark
1	Mixer Clip (A type)	Used to installing the type of A mixer to the PDP	SUS
2	Mixer Clip (B type)	Used to installing the type of B mixer to the PDP	SUS
3	Mixer Clip (K type)	Used to installing the type of K mixer to the PDP	SUS
4	Mixer Cap(C-9.6)	Used to installing the type of C-9.6(O.D 9.6) mixer to the PDP	AL
5	Mixer Cap(C-13.5)	Used to installing the type of C-9.6(O.D 13.5mm) mixer to the PDP	AL
6	Mixer Cap(C-15.6)	Used to installing the type of C-9.6(O.D 15.6mm) mixer to the PDP	AL
7	Mixer Cap(C-18.8)	Used to installing the type of C-9.6(O.D 18.8mm) mixer to the PDP	AL
8	Mixer Cap(F type)	Used to installing the type of F mixer to the PDP	AL







2K ANTI DRIP VALVE

Applying ADVU to the 2K PDP, when dispensing,

it minimizes the material's formation and prevents the dripping of the material.

There are 7 types of Anti Drip Valve depending on the type of material, volume of dispensing,

dispensing requirement and etc., and they can be used in UNIT style by applying a dedicated bracket for each of ADV type.

Item	Type	ADVU-1	ADVU-2	ADVU-3																								
Appearance																												
Features		<ul style="list-style-type: none"> - Applicable to a wide range of viscosity - Multipurpose - Reasonable price 	<ul style="list-style-type: none"> - Applicable to low-to-middle of viscosity - Good for quick-drying material 	<ul style="list-style-type: none"> - Applicable to low-to-middle of viscosity - Useful for dispensing of large volume 																								
Specification		<table border="1"> <thead> <tr> <th>Item</th> <th>Spec.</th> </tr> </thead> <tbody> <tr> <td>Inlet Port</td> <td>Luer Lock</td> </tr> <tr> <td>Outlet Port</td> <td>Metal needle Plastic hub needle</td> </tr> <tr> <td>Type of Valve</td> <td>Rotary type</td> </tr> </tbody> </table>	Item	Spec.	Inlet Port	Luer Lock	Outlet Port	Metal needle Plastic hub needle	Type of Valve	Rotary type	<table border="1"> <thead> <tr> <th>Item</th> <th>Spec.</th> </tr> </thead> <tbody> <tr> <td>Inlet Port</td> <td>Luer Slip</td> </tr> <tr> <td>Outlet Port</td> <td>Metal needle Plastic hub needle</td> </tr> <tr> <td>Type of Valve</td> <td>Rotary type</td> </tr> </tbody> </table>	Item	Spec.	Inlet Port	Luer Slip	Outlet Port	Metal needle Plastic hub needle	Type of Valve	Rotary type	<table border="1"> <thead> <tr> <th>Item</th> <th>Spec.</th> </tr> </thead> <tbody> <tr> <td>Inlet Port</td> <td>Luer Slip</td> </tr> <tr> <td>Outlet Port</td> <td>Metal needle Plastic hub needle</td> </tr> <tr> <td>Type of Valve</td> <td>Poppet type</td> </tr> </tbody> </table>	Item	Spec.	Inlet Port	Luer Slip	Outlet Port	Metal needle Plastic hub needle	Type of Valve	Poppet type
Item	Spec.																											
Inlet Port	Luer Lock																											
Outlet Port	Metal needle Plastic hub needle																											
Type of Valve	Rotary type																											
Item	Spec.																											
Inlet Port	Luer Slip																											
Outlet Port	Metal needle Plastic hub needle																											
Type of Valve	Rotary type																											
Item	Spec.																											
Inlet Port	Luer Slip																											
Outlet Port	Metal needle Plastic hub needle																											
Type of Valve	Poppet type																											
ADVU Application																												

ADVU-4		ADVU-5		ADVU-6		ADVU-7																													
																																			
<ul style="list-style-type: none"> - Applicable to low-to-middle of viscosity - Useful dispensing of large volume 		<ul style="list-style-type: none"> - Applicable to low-to-middle of viscosity - Application to quick drying material (MMA) - Ideal for small volume dispensing 		<ul style="list-style-type: none"> - Low~mid viscosity / high-volume dispensing - Apply one-touch fitting - Holder and cylinder required - Static mixer can be applied to the bottom 		<ul style="list-style-type: none"> - Ideal for high viscosity material or material containing filler - Connect to the barrel directly - Valve holder and Air ON/OFF device required - To prevent sludge cake by removing residual pressure during small-dot dispensing 																													
<table border="1"><thead><tr><th>Item</th><th>Spec.</th></tr></thead><tbody><tr><td>Inlet Port</td><td>Luer Lock</td></tr><tr><td>Outlet Port</td><td>Ø6 One touch fitting</td></tr><tr><td>Type of Valve</td><td>Rotary type</td></tr></tbody></table>	Item	Spec.	Inlet Port	Luer Lock	Outlet Port	Ø6 One touch fitting	Type of Valve	Rotary type	<table border="1"><thead><tr><th>Item</th><th>Spec.</th></tr></thead><tbody><tr><td>Inlet Port</td><td>Luer Lock</td></tr><tr><td>Outlet Port</td><td>Precision Nozzle Tip (All-in-one type)</td></tr><tr><td>Type of Valve</td><td>Rotary type</td></tr></tbody></table>	Item	Spec.	Inlet Port	Luer Lock	Outlet Port	Precision Nozzle Tip (All-in-one type)	Type of Valve	Rotary type	<table border="1"><thead><tr><th>Item</th><th>Spec.</th></tr></thead><tbody><tr><td>Inlet Port</td><td>Luer Slip</td></tr><tr><td>Outlet Port</td><td>Metal needle Plastic hub needle</td></tr><tr><td>Type of Valve</td><td>needle type</td></tr></tbody></table>	Item	Spec.	Inlet Port	Luer Slip	Outlet Port	Metal needle Plastic hub needle	Type of Valve	needle type	<table border="1"><thead><tr><th>Item</th><th>Spec.</th></tr></thead><tbody><tr><td>Inlet Port</td><td>Luer Slip</td></tr><tr><td>Outlet Port</td><td>Precision Nozzle</td></tr><tr><td>Type of Valve</td><td>Pinch type</td></tr></tbody></table>	Item	Spec.	Inlet Port	Luer Slip	Outlet Port	Precision Nozzle	Type of Valve	Pinch type
Item	Spec.																																		
Inlet Port	Luer Lock																																		
Outlet Port	Ø6 One touch fitting																																		
Type of Valve	Rotary type																																		
Item	Spec.																																		
Inlet Port	Luer Lock																																		
Outlet Port	Precision Nozzle Tip (All-in-one type)																																		
Type of Valve	Rotary type																																		
Item	Spec.																																		
Inlet Port	Luer Slip																																		
Outlet Port	Metal needle Plastic hub needle																																		
Type of Valve	needle type																																		
Item	Spec.																																		
Inlet Port	Luer Slip																																		
Outlet Port	Precision Nozzle																																		
Type of Valve	Pinch type																																		
																																			

PSP-Series 1K PRO-SPRAY Series®



Item	Model	PSP-015	PSP-050	PSP-150	PSP-500
Dimension(□xLx∅)		27x296x18mm		29x346x18mm	
Weight		420g		610g	
Angle of spray		5~30 °			
Dispensing Volume		0.1~0.6ml/min		0.3~18.0ml/min	
Viscosity		10~50,000cPs			
Spray Air Pressure		0~500kpa			
Material Inlet Port		BSPT 1/4		BSPT 1/4	
Spray Air Hose		∅4			
Motor Speed		0~120RPM			
Dosing Accuracy		±1%			
Orifice of Dosing		∅0.5~∅0.8			

It is an ultra-high precision volumetric spray dispensing system that produces ultra-fine to massive discharges by using combinations of material supplying pressure and spraying air pressure. It is possible to control and set the spray line width in various ways by systemizing it with dedicated control equipment. Equipped with various types of spray nozzles, it may dispense in the shape desired by customers (see the table below).

The design of the special vortex structure may prevent losses of materials and contamination in the surrounding areas caused by scattering or overspraying.

The combination of the sprayed amount and air pressure can be conveniently set, enabling spraying discharge for various purposes.

Spray Nozzle Type	MS (Micro Spray)	WC (Wide cone)	FF (Flat Fan)
Appearance of Nozzle and Spraying			

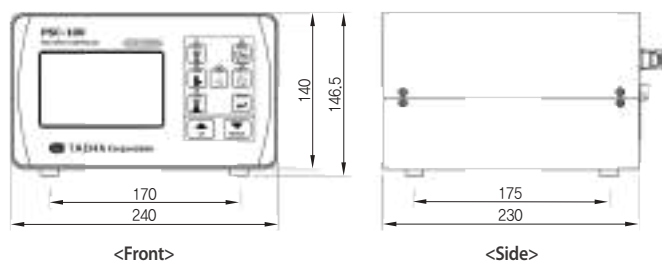
It is an ultra-high precision volumetric spray dispensing system that produces ultra-fine to massive discharges by using combinations of material supplying pressure and spraying air pressure.

PRO-SPRAY CONTROLLER PSC-100



Item	Model	PSC-100
Dimension(W x H x D)		240 x 116 x 230mm
Weight		3.6kgf
Power		AC 100 ~ 240V, 50/60Hz
Power Consumption		50 W
Display		5.0inch TFT LCD, Touch panel
Operating Mode		Time / Steady / Auto
Memory		32ch
Air Pressure		0 ~ 0.7MPa
Inlet Port		One Touch Fitting PC (Ø6 Air Hose, Max. 0.7MPa)
Outlet Port		Auto Joiner (PH-H4)
Interface		RS232, D_SUB 9 PIN
Input Signal		NPN or Normal Open Signal
Dosing End Signal		NPN or Open Collector
Temperature		10 ~ 40°C
Humidity		30 ~ 70 %
Standard Component		Motor Cable(2m) , Controller Cable(2m) Power Cord, Air Connect Tube (2.5m)

The exclusive software for the PSP dispensing pump facilitates precision with various functions for spraying or dispensing. With the application of the 5.4inch color touch screen, it is excellent in data recognition and easy to operate. Excellent compatibility with other devices such as a PC, PLC, etc. with a memory function (30ch) for setting the memory. External interface functions facilitate the continuous execution of various tasks. With the intuitive operation settings and data changes, it is easy to operate. It's possible to set various dispensing conditions freely with the TIME/STEADY/AUTO modes.





Various dispensing specifications

We will help to increase customer satisfaction by applying TAEHA's various systems to dispensing tasks with tricky materials or complicated processes.

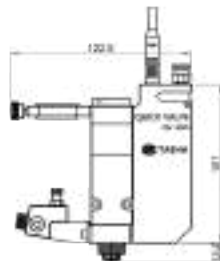
 TAEHA Corporation



QUICK VALVE & CONTROLLER QV-30D/QVC-100



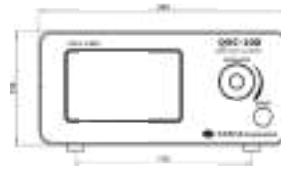
The precision valves can dramatically reduce the dispensing time with the high-speed operation and non-contact jetting valves, and it's possible to dispense even a small amount with excellent precision ($\pm 2\%$).
The spray-discharge method does not affect the needle clearance (up to 30mm) and adopts a non-contact method that does not touch the product to be discharged, so there is no risk of product damage and there is no relation to the curvature of the product's surface.
It can be applied to various low to medium viscous materials such as conformal coating, flux, grease, silver paste, tuffy, UV liquid and epoxy.
The valve structure is simple, so product maintenance and equipment application are easy.



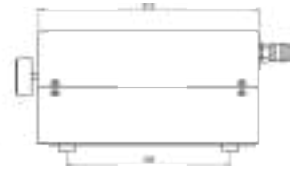
<Front>



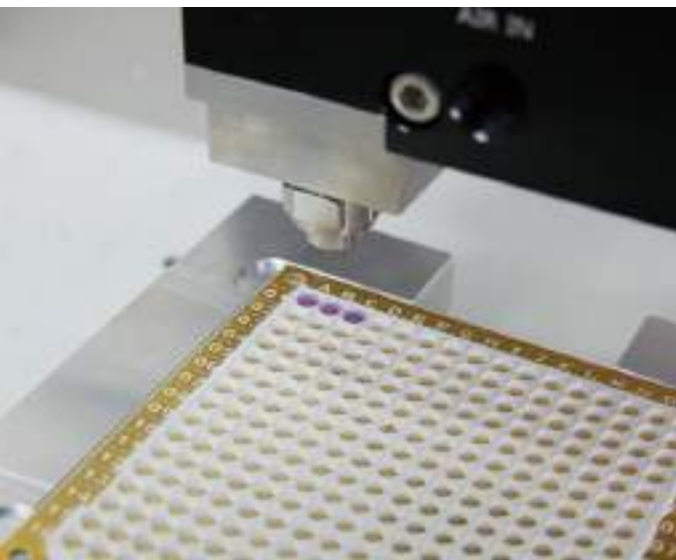
<Side>



<Front>



<Side>



QV-30D		QVC-100	
Operating type	High speed needle	Power Consumption	445VA
Viscosity	50~20,000 cps	Power	AC220V, 50/60Hz
Air Pressure	Max. 8.0kg/cm ²	Operating Mode	TIME/STEADY/INTERVAL
Driving Pressure	5.0~8.0kg/cm ²	ShotTime	1ms~1,000ms
Shot Volume	Min. 10nl	Idle Time	1ms~1,000ms
Shot Time	Min. 2.0ms	Frequency	250Hz
Accuracy	$\pm 2\%$	Supply Air Pressure	Less than 1MPa (oil-free Dry Air)
Frequency	Max. 300Hz	Driving Air Pressure	0.5~0.8MPa
Temperature	-5~200°C	Interface	RS232, D9SUB 9pin
Inlet Port	PT 1/8	Weight	1.0kg
Weight	712g		

SPEC-PP

The pneumatic double-acting pump precisely measures and discharges low viscosity liquids (to 5,000 cps or less) A stable and precise discharge is generated by selecting the appropriate plunger according to the dispensing volume. There are a total of 5 models with maximum discharge volumes of 0.15, 1, 3, 5 and 10cc, which enable fine adjustment with a micrometer.



High Precision

Dispensing low-viscosity liquids of 5,000 cps or less with a high precision of $\pm 0.5\%$ error.

High Reliability

This standardized product generates an accurate and stable discharge in a fixed quantity.

High Durability

It's possible to discharge in a fixed quantity for a long time by using a seal made with a high-elastic and abrasion-resistant special material.

High Responsiveness

It's possible to change the materials and specifications to apply to various liquids.



<8-ARRAY PLUNGER PUMP SYSTEM>

Applicable Material

- Industrial : oil, adhesive, solvents, electrolyte, etc
- Food : sauce, jam, syrup, etc
- Cosmetic : lotion, cream, shampoo, conditioner, perfume, air freshener, etc
- Bio : reagent, enzyme, etc

The volumetric precision dispensing pump uses a plunger to stably and accurately dispense low viscous liquids.

SPEC Series



<PP-3CV with specially manufactured wetted part>



model	Image	Dimension (mm)	Plunger Diameter (mm)	Max. Stroke (mm)	Max. Dosing volume (cc)	Standard Hose (mm)
PP-1CV		□ 43 x L216,5	10	13	1.0	<Inlet Port> S type (Ø4-Ø6) M type (Ø6-Ø8) L type (Ø8-Ø10) <Outlet Port> S type (Ø2-Ø4) M type (Ø4-Ø6) L type (Ø6-Ø8)
PP-3CV		□ 43 x L216,5	18	13	3.0	
PP-5CV		□ 50 x L277,5	18	25	5.0	
PP-10CV		□ 50 x L277,5	25	25	11.0	



<System Configuration>



<24-ARRAY PLUNGER PUMP SYSTEM>

TAEHA CAN PUMP TCP Series

As the canned liquid is transferred, no foreign substances or air bubbles are flowing in it. Air doesn't enter and contact doesn't occur due to the application of the special follow plate. Also, no remaining liquid is on the inner wall of the container. The application of a new concept of the high-performance piston pump achieves the best performance and improves efficiency by minimizing pulsation. The TWIN-POST RAM structure provides robustness and stability as the motor part and pump part are separated, it is easy to use and maintain.



<None-plate type>

** The NP type plate has a viewing window, so it is possible to easily check the remaining amount of liquid in the pail container.

Applicable Material

- High-viscosity material without flowability
- Grease, 1K Epoxy, silicone RTV, oil, cream solder and other high-viscosity material

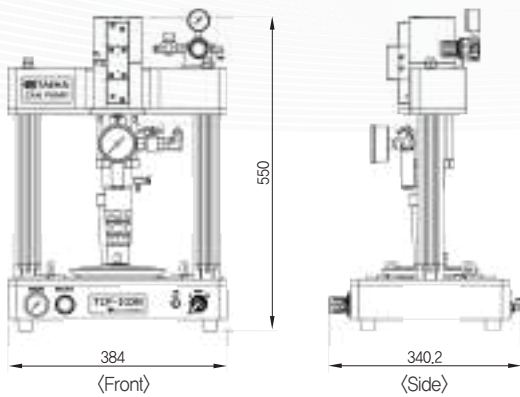
Model Item	TCP-101N	TCP-103N/105N	TCP-1800N
Pumping Ratio*	10:1 (20:1)		20:1 (10:1)
Output Pressure	7MPa(14MPa)		14MPa(7MPa)
Volume/1cycle	≒ 20cc		≒ 20cc
Viscosity	1,000~600,000 cps		
Air Working Pressure	Min 0.2MPa ~ Max 0.7MPs		
Air Consumption	27L/min(ANR), 0.4MPa, 60cycle/min		43L/min(ANR), 0.4MPa, 60cycle/min
Wetted Part**	Body:AL / Seal:UHMW-PE,FKM / Rod,Shovel:SUS303F / Follow plate:TPEorNBR		
Dimension (WxDxH)	384x362x564(804)mm		500x450x792 mm
Weight	18kgf		38.5kgf
Output Port	Rc 1/4" [Option : Rc 3/8"]		
Air Input Port	Ø6.0mm		
Pail Can Size	1kg	3~5kg	18kg
Follower Plate	WP(Wiper Plate), DP(Disposal Plate), NP(None Plate)		

* : Custom production is possible with the pressure increase in parentheses. (Order separately).

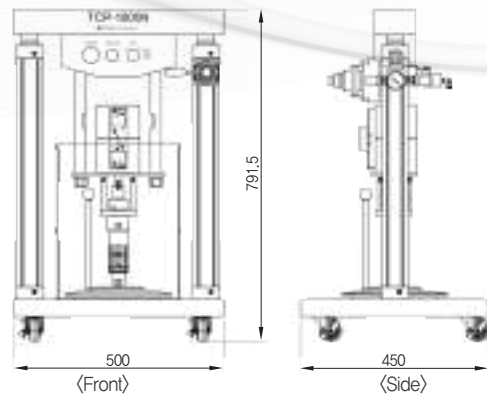
** : It is possible to change the material to suit the user's purpose (Order separately).

A system that increases the efficiency of work with a system that boosts and transfers high-viscosity liquids as they are in the can as a container.

SPEC Series



- Dimension(TCP-101N/103N/105N) -



- Dimension(TCP-1800N) -

TAEHA HIGH-PRESSURE HOSE LINE-UP

This is a line-up of high pressure hoses dedicated to carefully selected dispensers based on Taeha's extensive experience and know-how to transfer various fluids used as dispenser materials at high pressure in optimal environment.



(Polyolefin Type Hose)



(SUS Braided Type Hose)

P(Polyolefin) Type

- ① Excellent moisture barrier performance
- ② Excellent chemical resistance
- ③ Excellent non-pollution
- ④ Meets the US FDA's standards
- ⑤ Operating temperature range: -30°C~70°C

S(SUS Braided) Type

- ① Superior chemical resistance to almost all chemicals such as strong acids, strong alkalis and solvents compared to other hose materials
- ② Excellent performance in non-adhesiveness and low friction
- ③ Excellent purity without contamination by fluids
- ④ Operating temperature range: -30°C~270°C

Coupling(SUS304), Adapter(SUS304) Contact-angle : 37°

HOSE Specification

	HOSE SIZE				Max. Pressure (Mpa)	Min. Pressure (Mpa)	Min. Radius of curvature(mm)	Weight (g/m)
	Nominal	Inch	mm	O.D(mm)				
P	04	1/4"	6.3	12.5	19.5	78.0	30	95
S				10.0	20.5	96.0	77	140
P	06	3/8"	9.5	16.4	16.0	64.0	50	134
S				13.0	17.0	82.0	102	160
P	08	1/2"	12.7	20.3	14.0	56.0	75	241
S				16.5	10.3	57.8	166	220
P	12	3/4"	19	28.7	10.5	42.0	125	368
S				23.0	7.80	41.0	196	250
P	16	1"	25.4	36.5	10.5	42.0	200	554
S				29.0	6.80	27.0	229	400

* Adapters for high-pressure hoses are subdivided and standardized according to the type of hose, thickness of hose, hose material, and type of piping.

Model Naming

S - S - 08 - 2000L

Hose Type	Coupling Type	Hose Size	Hose Length(mm)
P: Polyolefin S: SUS Braided	S: Straight E: Elbow E45: Elbow45°	04: 1/4" 06: 3/8" 08: 1/2" 12: 3/4" 16: 1"	The length of the hose as a whole and the 2 couplings combined.

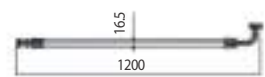
example)

"P-E-06-2000L"



- Polyolefin hose
- Elbow&Elbow coupling
- 3/8" Hose size
- 2000mm Length

"S-S, E-08-1200L"



- PTFE Hose
- Straight&Elbow coupling
- 1/2" Hose size
- 1200mm Length

SPRAY DISPENSING VALVE SDV Series



Item	Model	SDV-200
Dimension(mm)		Ø27 x L142
Weight		260g
Operating Air Pressure		0.4~0.5MPa (Normal 0.45MPa)
Max. Dosing Pressure		Max 0.7MPa
Spray Type		External mixing type
Viscosity		Low~Medium viscosity
Material of Part		Body, Piston:SUS303F Seat, Needle:Tungsten Carbide
Nozzle type	WS Nozzle	
	FS Nozzle	
	MS Nozzle	

The low pressure and low flow type generate a uniform and fine spray discharge without over-spraying or scattering.

The tungsten carbide material is very durable.

The spray valve in the external mixing method whose nozzle end is not blocked dispenses the spray particles uniformly and finely. It is good for stable spraying work.

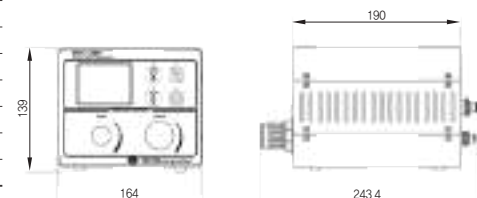
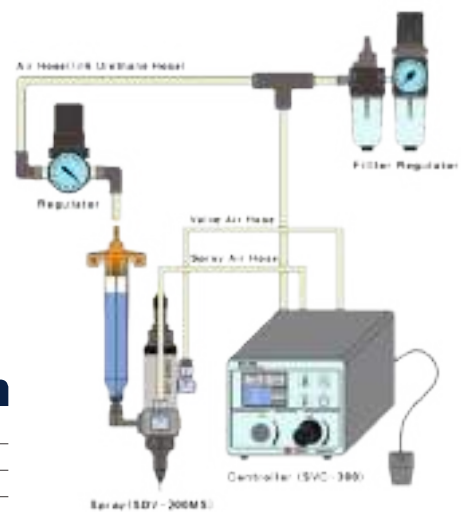
It's easy to control the spray flow rate by utilizing the micrometer head, fine angle nozzle and needle.

The lineup of nozzles with various patterns can provide the spray width and patterns desired by the customers.

〈Spray Controller SVC-300〉



Item	SVC-300
Dimension (WxHxD)	164x139x243.4(mm)
Weight	3.7kg
Power	AC 220V, 50/60Hz
Power Consumption	15W
Display	2.5" TFT LCD
Operating Method	Touch panel, Button, Rotary Knob
Operating Mode	Time Mode / Steady Mode / Interval Mode
Input Signal Time	More than 20ms
Shot Start Signal	Foot switch / NPN signal
Shot End Signal	NPN open collector
STD Component	Foot switch, Power cord, Air hose Ø4.0 1.5M



Compressed air and liquid blend perfectly to achieve ultra-fine spraying

SPEC Series

SELECTIVE SPRAY DISPENSING VALVE SSDV Series



Item	Model	SSDV-200	SSDV-20
Dimension(mm)		Ø24 X L157,6	Ø24 X L148
Weight		300g	260g
Operating Air Pressure		More than 0,4MPa	
Max. Dosing Pressure		Max 0,6MPa	
Spray Type		External mixing type	Internal/ External mixing type
Viscosity		Low~Medium viscosity	
Material of Part		Body, Piston : SUS303F Seat, Needle : Tungsten Carbide	
Appearance of dosing			

Both the bead spray and line spray are discharged precisely by controlling the driving solenoid and spray pressure.
The tungsten carbide material is very durable.
It's easy to control spray flow rate by utilizing the micrometer head, fine angle nozzle and needle.



•••••
nano pen
NANO PEN Series CE



Item	Model	NANO PEN 3	NANO PEN 5	NANO PEN 10	NANO PEN 30
Dimension (AxBxCxD)		20x16x25x155(mm)	20x18x25x155(mm)	20x23x28x173(mm)	20x30x35x198(mm)
Weight		118g		300g	
Viscosity		1~500,000cps			
Screw Pitch		0.8mm		1.0mm	1.25mm
Stroke		45mm			
Displacement Step		0.0001mm/step		0.001mm/step	0.0006mm/step
Section of Barrel		70.88mm ²	124.69mm ²	196.07mm ²	401.15mm ²
Volume by Step	Normal res.	3.6 μl /step	12.7 μl /step	25 μl /step	138 μl /step
	High res.	1.9 μl /step	6.84 μl /step	13.4 μl /step	138 μl /step
Using Barrel		3cc	5cc	10cc	30cc



A pen-type dispenser that does not need to use air and can precisely dispense very small amounts with a motor-driven method.

It is a new concept of dispenser that can conveniently and stably dispense ultra-fine amounts.

-Dosing volume-

NANO PEN 3 : 1.9μl/step

NANO PEN 10 : 13.4μl/step

NANO PEN 5 : 6.84μl/step

NANO PEN 30 : 138μl/step

The magnet applied inside the nano-pen makes it easy to change barrels and set up.

With its simple and compact design and structure, it is easy to configure an automated line or a multi-layer system, and it can be applied to various applications due to the high-speed discharge.

※ Barrels with a 3, 5, 10 and 30cc capacity can be applied. A barrel and a plunger dedicated for each barrel must be used.



The compact pen-type high-precision dispensing system quantitatively discharges very small amounts via the motor drive and electronic methods without air-pressure

••••• nano pen

SPEC Series

NANO PEN BASIC SYSTEM

The Nano Pen System has a dedicated controller (NPC-10) and a nano-pen as a default to discharge a very small amount stably and with high-precision.

The NPC-10 is a dedicated controller for the nano-pen basic system and has digital multi-functions, so you can easily control the discharge volume with just a simple operation.



NPC-10	
Dimension(WxHxD)	158x80x110(mm)
Weight	932g
Power Input	DC 9V/2A
Power Consumption	15W
Operating Mode	TIME / STEADY/ SEQUENCE / INTERVAL
Display	3.2" Touch Screen
Interface	RS485(MODBUS)
Input Signal	Contact Input
Output Signal	NPN Open Collector
STD Component	Power cord, Motor Cable, Foot S/W



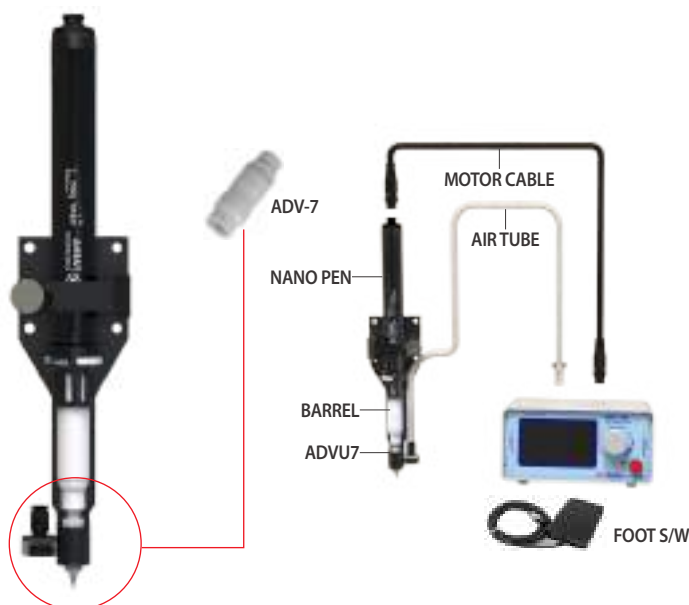
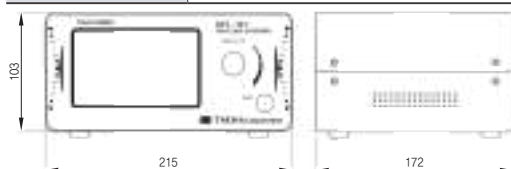
NANO PEN WITH VALVE SYSTEM

It's possible to discharge a very small amount of liquid containing a filler (with low to high viscosity) at the size of $\varnothing 0.5$ or less by applying an anti-drip valve (refer to ADV5/ADV7, p23) to the NANO-PEN.

It removes residual pressure that may occur when micro-spot dispensing is applied, and it prevents dehydration cakes, preventing the clogging of the nozzle tip due to filler. **The NPC-10V** is a dedicated control device for the nano-pen with a valve system that can control various dispensing conditions stably and easily with just a simple operation by providing multiple functions digitally. With the color touch screen, the operator can control the data easily and clearly.



NPC-10V	
Dimension(WxHxD)	215x109x172(mm)
Weight	1.5kg
Power Input	100-240V/60Hz
Power Consumption	3A(75W)
Operating Mode	TIME / STEADY
Display	5" TFT LCD
Interface	Touch Panel, Button, Rotary Knob
Input Signal	Contact Input
Output Signal	NPN Open Collector
STD Component	Power cord, Motor Cable, Foot S/W



PROCURE Series

The one-stop UV dispensing and curing facility consists of a dispenser and UV LED irradiator as one system. By modularizing the ultra-precision dispenser POR-PUMP and a high-performance UV LED curing machine, the operator can select and operate the specific process you desire according to your work (Dispensing Only / UV Curing Only / Dispensing+Curing)
It responds to a variety of customer needs, including setting the discharge volume and discharge shape, UV irradiation intensity, and UV irradiation pattern.
The modularized facility has a simple product structure standardized and mass-produced to increase customer productivity and efficiency.



UV HEAD			
Model	Type	UV Intensity	Wavelength
C3	Cone	1~2W/cm ²	365~405nm
C16	Ring	1~2W/cm ²	
C25	Ring	1~2W/cm ²	

PRO-PUMP	
Model	Dosing Volume /rev
PCP-005	0.005mL
PCP-015	0.015mL
PCP-050	0.050mL
PCP-150	0.15mL
PCP-500	0.50mL

Controller				
Model : PEC-100				
Operating Mode	Time	METERING	RS232C	MODBUS(ASC II)
	Steady			
Interface	DC 24V, MAX 3A			
Protocol				
Power				

UV-CURING CONTROLLER				
Model : G-I300C				
UV LED HEAD	Cooling type	Operating Mode	제어방식	소비전력
C3	Air cooling	AUTO/MANUAL Mode	IO, EV, RS232, Ethernet	AC100~220V, 50/60Hz (Max. 3000W)
C16				
C25	Water cooling			

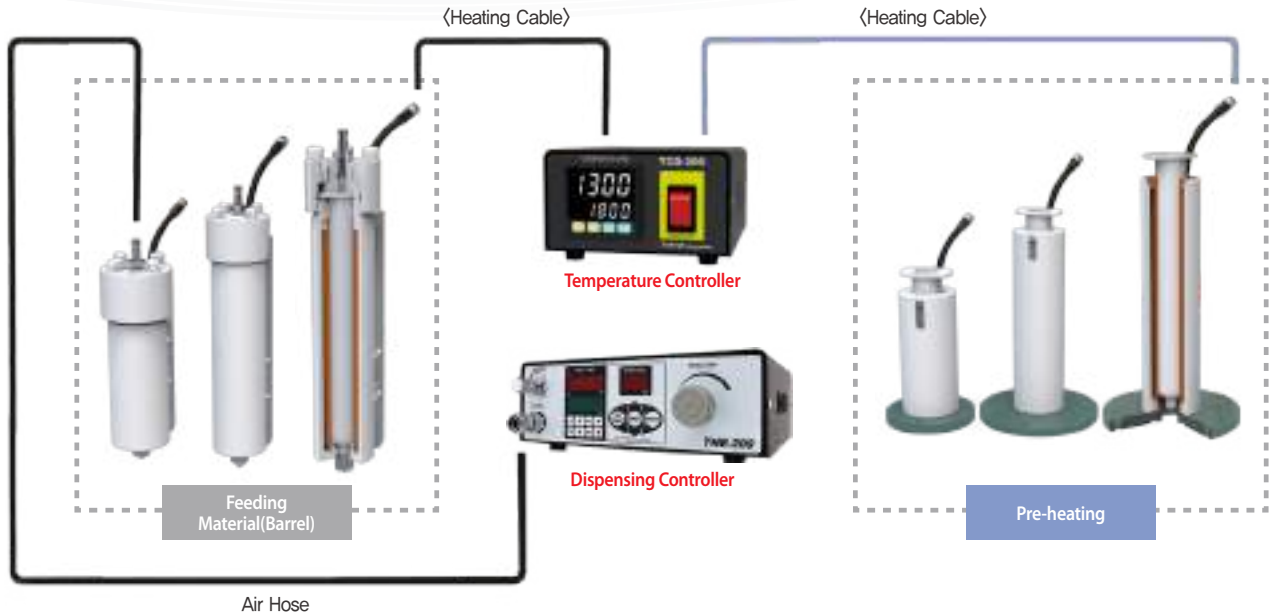
<UV LED HEAD>



**One-stop process UV curing and dispensing



It is applied to facilities that require quantitative discharge by dissolving materials such as liquids or hot melts that are sensitive to temperature and require constant temperature maintenance. It may implement a variety of applications according to the size of the material supply container and the heating temperature range. It provides stability to the state of the material and the dispensing result as it transfers heat uniformly to all the material containers. (General type barrels are available at of 30~80°C and heat-resistant barrels are available at 170°C.)



구성품 사양



Heating

Heater	Body : Silicone Rubber Heater Needle : Small Cartridge Heater
Sensor	Body, Needle : CA type
Control	PID Control
Air Pressure	More than 0.5MPa, Dry Air
Container	Standard Barrel(PP) 30/50/70cc Heat-resistant Barrel(PBT)30/50cc
Temperature	Standard Barrel (Rm. Temperature ~80°C) Heat-resistant Barrel (~170°C)

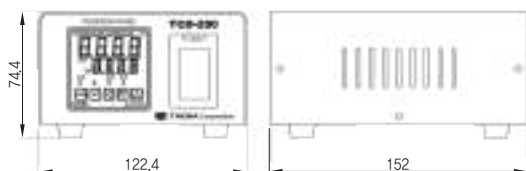


Pre-Heating

Heater	Body : Silicone Rubber Heater Needle : Small Cartridge Heater
Sensor	Body, Needle : CA type
Control	PID Control
Air Pressure	More than 0.5MPa, Dry Air
Container	Standard Barrel(PP) 30/50/70cc Heat-resistant Barrel(PBT)30/50cc
Temperature	Standard Barrel (Rm. Temperature ~80°C) Heat-resistant Barrel (~170°C)



TCD-200



Dimension (WxHxD)	158x80x110(mm)
Weight	932g
Power Input	110~220VAC 50/60Hz
Power Consumption	3, 5, 10A / 60, 1100, 2200W
Temperature	Rm. Temp ~70°C (STD Barrel) Rm. Temp ~200°C (SUS Barrel)
Control	PID Control
Control Type	DIGITAL Type
STD Component	Power Cord

SPEC-1,2,3,4

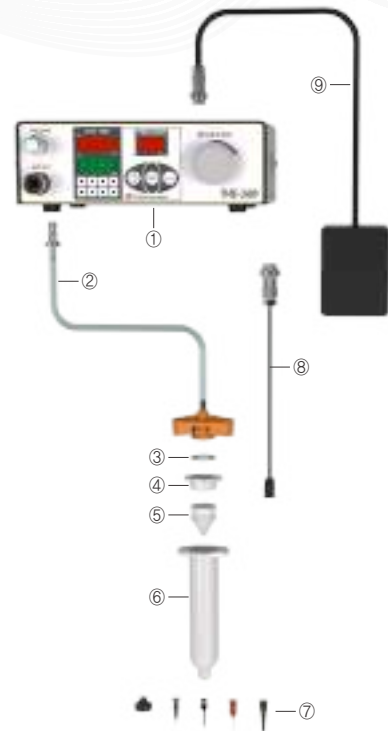
BARREL SYSTEM

SPEC-1

As a method of dispensing by supplying air, the minimum dispensing volume is 0.0001cc, and the dispensing volume can be adjusted according to the time/pressure/needle size.

- ① Controller (See the page of 47 for details)
- ② Adapter Assembly
- ③ O-Ring
- ④ Barrel Cap
- ⑤ Plunger
- ⑥ Barrel
- ⑦ End Tip, Needles
- ⑧ Barrel Switch
- ⑨ Foot Switch

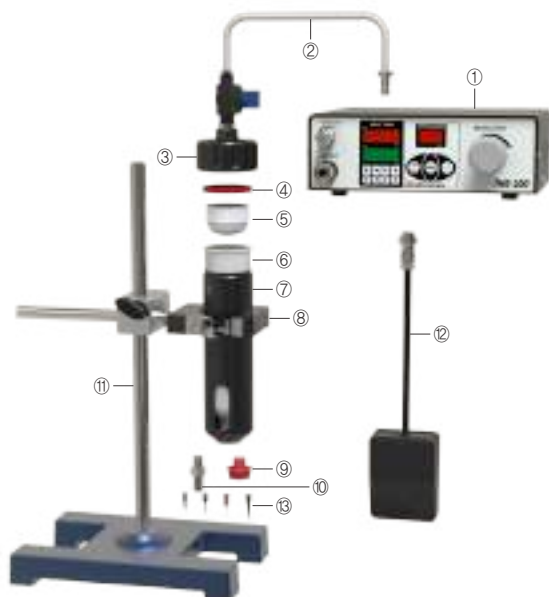
(See the page of 67~ for details)



CARTRIDGE SYSTEM

SPEC-2

Like the SPEC-1, this system dispenses materials by supplying air and uses the material in a large dispensing volume contained in a cartridge. Cartridge-related accessories are required and are useful for dispensing large quantities.



- ① Controller (See the page of 47 for details)
- ② Connector Tube
- ③ Cartridge Holder Cap
- ④ Cartridge Cap
- ⑤ Cartridge Plunger
- ⑥ Cartridge
- ⑦ Cartridge Holder
- ⑧ Holder Clamp
- ⑨ Cartridge Plug
- ⑩ Needle Adapter
- ⑪ H-Stand
- ⑫ Foot Switch
- ⑬ Needles

(See the page of 67~ for details)

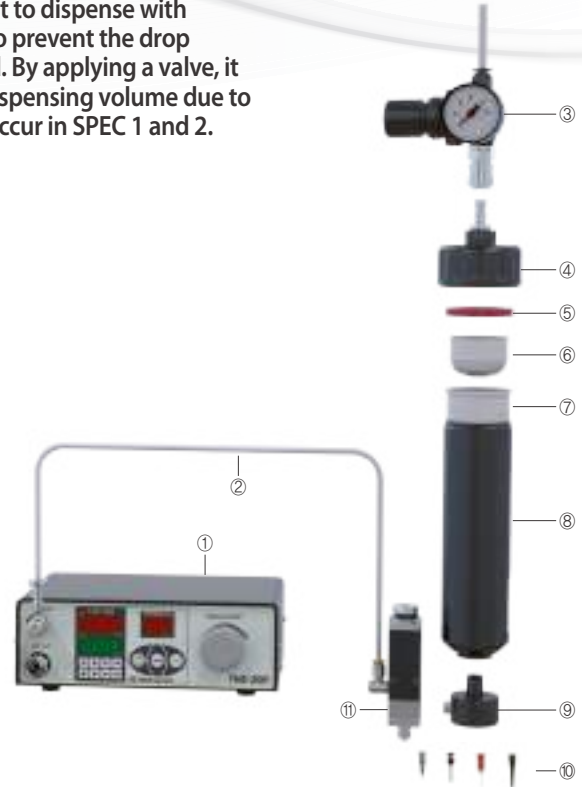
CARTRIDGE + VALVE SYSTEM

SPEC-3

By dispensing materials that are difficult to dispense with the SPEC-2 using a valve, it is possible to prevent the drop phenomenon of the low viscosity liquid. By applying a valve, it is possible to minimize the change in dispensing volume due to the difference in water head that may occur in SPEC 1 and 2.

- ① Controller (See the page of 47 for details)
- ② Connector Tube
- ③ Regulator Set
- ④ Cartridge Holder Cap
- ⑤ Cartridge Cap
- ⑥ Cartridge Plunger
- ⑦ Cartridge
- ⑧ Cartridge Holder
- ⑨ Cartridge Elbow
- ⑩ End Tip, Needles
- ⑪ Precision Valves (See the page of 44 for details)

(See the page of 68~ for details)



VALVE + TANK SYSTEM

SPEC-4

The system can dispense a large amount of liquid by using a pressure tank and valve together, and dispenses the liquid pumped from the pressure tank through the valve.



THE-100



- It adopts a high-performance microprocessor and high-speed air pulse circuit that produce a fast and stable liquid dispensing volume
- Smart dispensing control equipment made with extensive experience and technical expertise
- Superior reliability and durability with only a few minor failures
- Small and compact design for easy installation
- Great functions at a reasonable price
- Vacuum function available



Power	AC220VAC, 50/60Hz
Power Consumption	10W
Air Pressure	max 0.99MPa, Oil-free Dry Air
Air Pressure Range	0.02-0.6MPa
Shot Time Range	0.01-9.99sec
Operating Mode	Timer / Steady/ Interval (Interval time 0.01~9.99sec)
Input Signal	Foot S/W, Barrel S/W, Non-voltage N.O contact
Input Signal Time	More than 0.1s
Shot End Signal	N.O Relay contact
Vacuum	0~450Kpa
Temperature	5-40°C
Dimension	180(W)x70(H)x154(D)mm
Weight	2.3kg
STD Component	Foot S/W, Power Cord, Barrel Stand

THE-100R

- It adopts a high-performance microprocessor and high-speed air pulse circuit that produce a fast and stable liquid dispensing volume
- Smart dispensing control equipment made with extensive experience and technical expertise
- Superior reliability and durability with only a few minor failures
- Small and compact design for easy installation
- Great functions at a reasonable price
- Applicable to 2-way valve



Power	AC220VAC, 50/60Hz
Power Consumption	10W
Air Pressure	max 0.99MPa, Oil-free Dry Air
Air Pressure Range	0.02-0.6MPa
Shot Time Range	0.01-9.99sec
Operating Mode	Timer / Steady/ Interval (Interval time 0.01~9.99sec)
Input Signal	Foot S/W, Barrel S/W, Non-voltage N.O contact
Input Signal Time	More than 0.1s
Shot End Signal	N.O Relay contact
Vacuum	0~450Kpa
Temperature	5-40°C
Dimension	180(W)x70(H)x154(D)mm
Weight	2.3kg
STD Component	Foot S/W, Power Cord, Barrel Stand

The precision dispenser quickly and accurately controls the dispensing volume



THE-200



- Faster and more stable dispensing volume than the THE-100 series by applying a precision regulator
- Precise and stable pressure setting possible by installing a pressure sensor
- Adjust the dispensing time in a unit of 0.001 seconds
- Adjust the time and pressure with the digital display
- Superior reliability and durability with only a few minor failures
- Small and compact design for easy installation
- Great functions at a reasonable price

Power	AC220VAC, 50/60Hz
Power Consumption	10W(max)
Air Pressure	1.0MPa, Oil-free Dry Air
Air Pressure Range	15~600KPa (Low pressure 15~400KPa)
Shot Time Range	0.001-9.999sec
Operating Mode	Timer / Steady/ Interval (Interval time 0.01~9.99sec)
Input Signal	Timer / Steady/ Interval (Interval time 0.01~9.99sec)
Input Signal Time	More than 0.5sec
Shot End Signal	Photo coupler output (Relay output)
Vacuum	0~450Kpa
Temperature	5~40°C
Dimension	212(W)x78(H)x239(D)mm
Weight	4.0kg
STD Component	Foot S/W, Power Cord, Barrel Stand

TUBING PUMP
TP-50

A dispenser dispensing low viscosity liquids in trace amounts quickly, accurately and stably

TP-50

- The dispenser control equipment has excellent performance for dispensing low viscosity liquids such as instant adhesive, anaerobic bond, ink, and solvent.
- Dispense the liquid without air pressure by rotating the rotor.
- Taeha's unique head structure reduces the occurrence of air bubbles in the material transfer Teflon tube and increases the life of the tube.
- Excellent quantity in the micro-step controlling method
- Superior reliability and durability with only a few minor failures
- Small and compact design for easy installation
- Great functions at a reasonable price



Power	AC220VAC, 50/60Hz
Power Consumption	10W(max)
RPM	0-160RPM
Angle of Rotation	Shot : 0~999° Vacuum : 1~999°
Shot Volume	Min 0.0001cc (Using teflon tube size of Ø0.3xØ0.8)
Vacuum	0~450kpa
Viscosity	Less than 5,000cps
Dimension	177(W)x83(H)x183(D)mm
Weight	3.5kg
STD Component	Foot S/W, Power Cord, Nozzle Holder Teflon tube 5m

Accessories for TP-50

<Teflon tube>



* Spec. of Teflon tube

Model	O.D.(mm)	I.D.(mm)
PTT0308	Ø0.8	Ø0.3
PTT0510	Ø1.0	Ø05
PTT1015	Ø1.5	Ø1.0
PTT1520	Ø2.0	Ø1.5
PTT2025	Ø2.5	Ø2.0
PTT2530	Ø3.0	Ø2.5

<Nozzle Holder>

: Hold the tube and connect it to the needle.
The holder tip is changed according to the size of the tube



<Nozzle Holder S/W>

: The holder tip is changed according to the size of the tube



<Cup Holder>

: Holder for storing adhesive containers



<Cup Holder Bracket>

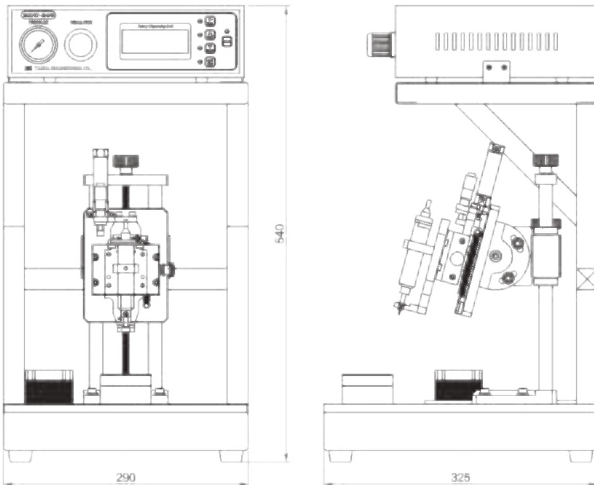




RDU-200

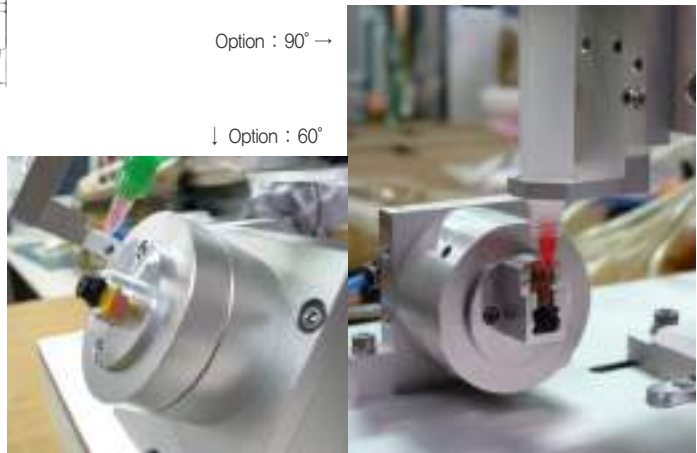
- This is a machine for circular coating application that dispenses the fluid materials in a fixed quantity in a circumferential shape by rotating the work required for a circular coating application on a turntable.
- Stable circular coating work is possible by automatically controlling the equipment operation/movement/up/down movement/rotation/stop with a single input signal.
- The control function of the RDU-200, which combines our unique liquid control technology and expertise, provides the best circular coating application while making various products simple.
- There is no condensation after dispensing due to the electronically driven vacuum function.
- Possible to finely adjust by adopting a micrometer in the UP/DOWN part.
- Compact design for easy installation

Power	AC220VAC, 50/60 Hz, 250VA
Controller	Control by microprocessor
Display	20x4 Dot Matrix Screen
Driving Method	Stepping Motor
Vacuum	Electronically Driven Vacuum
Air Cylinder	30mm stroke (Up-down)
Turn Table	Min 10RPM ~ Max 300RPM
Shot Range	Ø150
Dimension	290(W)x540(H)x325(D)mm
Weight	15kg



Option : 90° →

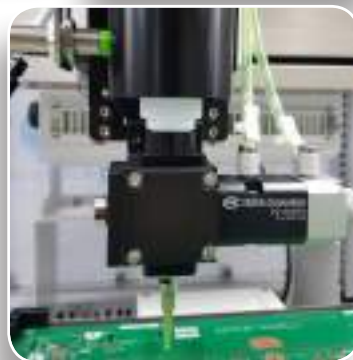
↓ Option : 60°



DISPENSING VALVE

DV Series

TAEHA's Pneumatic metering valves are widely used in various industries to provide reliable and accurate dispensing solutions. From low-viscosity materials to high-viscosity materials that are difficult to dispense, we have a lineup of valves that can dispense accurately and consistently. Excellent product quality control by owning a dedicated facility that processes and produces valve precision parts. Experience highly reliable metering valves that combine the expertise of Taeha's long-standing dispenser with our unique valve design.





Mini Diaphragm Valve

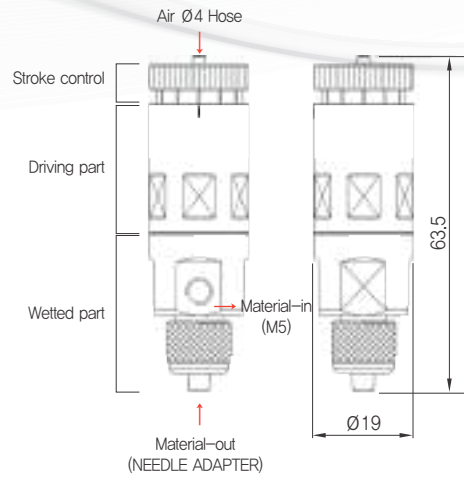
DV-10



- **Features**
Excellent for dispensing low-viscous material in a small and fine quantity
- **Applicable Material**
Low viscosity material such as reagent, solvent, flux, ink, electrolyte, etc

- **Specifications**

Dimension(mm)	Ø19.0 x L63.5	
Weight	80g	
Driving Air Pressure	More than 0.4MPa	
Material Feeding Pressure	Max. 0.6MPa	
Port Size	Air_IN	Ø4 Hose
	Material_IN	M5
	Material_OUT	LUER LOCK(male)
Flux (KV value)	1.1L/min	
Driving Part Material	SUS303	
Wetted Part Material	SUS303, UHMW-PE	



Diaphragm Valve

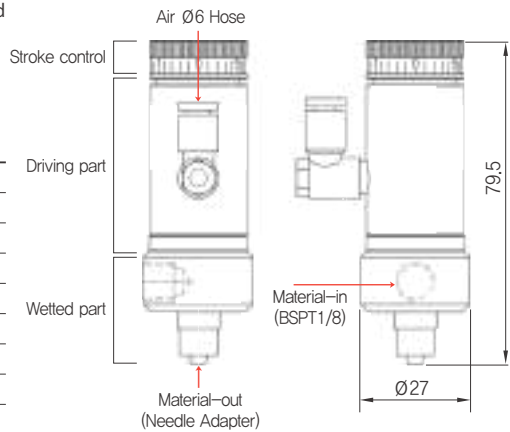
DV-100



- **Features**
Excellent for dispensing low-viscous material in a small and fine quantity. Good chemical resistance due to polymer material of wetted part
- **Applicable Material**
Low viscosity material such as reagent, solvent, instant glue, anaerobic adhesive, flux, ink, electrolyte, etc

- **Specifications**

Dimension(mm)	Ø27.0 x L79.5	
Weight	80g	
Driving Air Pressure	More than 0.4MPa	
Material Feeding Pressure	Max. 0.5MPa	
Port Size	Air_IN	Ø6 Hose
	Material_IN	BSPT 1/8
	Material_OUT	LUER LOCK(male)
Flux (KV value)	0.3L/min	
Driving Part Material	Aluminum	
Wetted Part Material	UHMW-PE	



Needle Valve

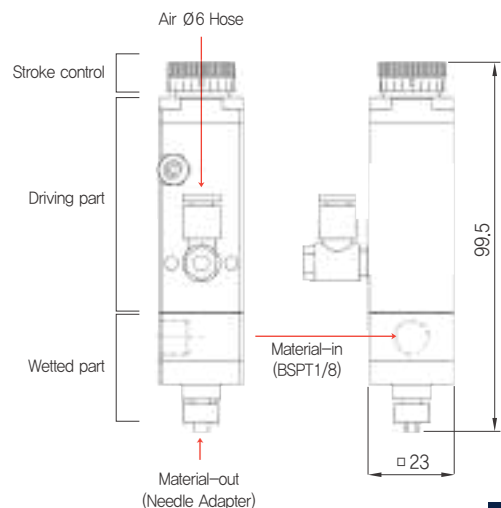
DV-200



- **Features**
Durable through using of diaphragm. Simple structure for application to various materials.
- **Applicable Material**
Low~medium viscosity material such as solvent, silicone oil, epoxy, containing filler, etc

- **Specifications**

Dimension(mm)	□23.0 x L99.5	
Weight	170g	
Driving Air Pressure	More than 0.4MPa	
Material Feeding Pressure	Max. 0.6MPa	
Port Size	Air_IN	Ø6 Hose
	Material_IN	BSPT 1/8
	Material_OUT	LUER LOCK(male)
Flux (KV value)	1.7L/min	
Driving Part Material	Aluminum	
Wetted Part Material	SUS303	





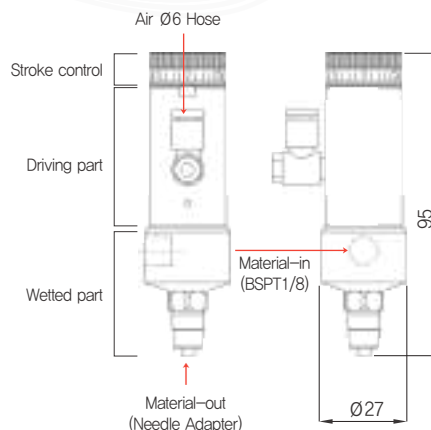
Needle Valve

DV-200S



- **Features**
Suitable for material requiring fine dispensing. Less ball-up effect and easy for needle replacement
- **Applicable Material**
Low~ medium viscosity material
- **Specifications**

Dimension(mm)		Ø27.0 x L95.0
Weight		140g
Driving Air Pressure		More than 0.4MPa
Material Feeding Pressure		Max. 0.5MPa
Port Size	Air_IN	Ø6 Hose
	Material_IN	BSPT 1/8
	Material_OUT	LUER LOCK(male)
Flux (KV value)		0.6L/min
Driving Part Material		Aluminum
Wetted Part Material		SUS303, PEEK



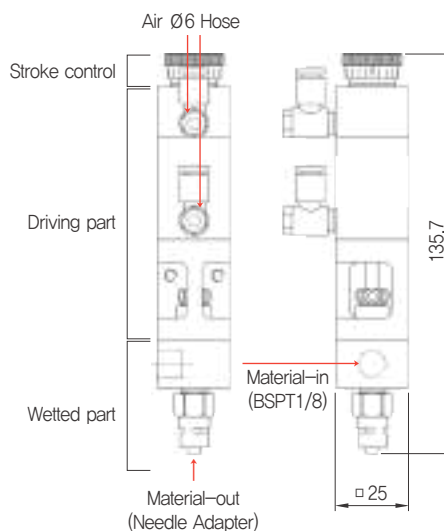
Needle Valve

DV-200H



- **Features**
Knob for easy regulating the flux, Good durability due to special seal structure
- **Applicable Material**
High viscosity of RTV silicone and grease, epoxy, etc
- **Specifications**

Dimension(mm)		□25.0 x L135.7
Weight		240g
Driving Air Pressure		More than 0.4MPa
Material Feeding Pressure		Max. 12.0MPa
Port Size	Air_IN	Ø6 Hose
	Material_IN	BSPT 1/8
	Material_OUT	LUER LOCK(male)
Flux (KV value)		1.5L/min
Driving Part Material		Aluminum
Wetted Part Material		SUS303



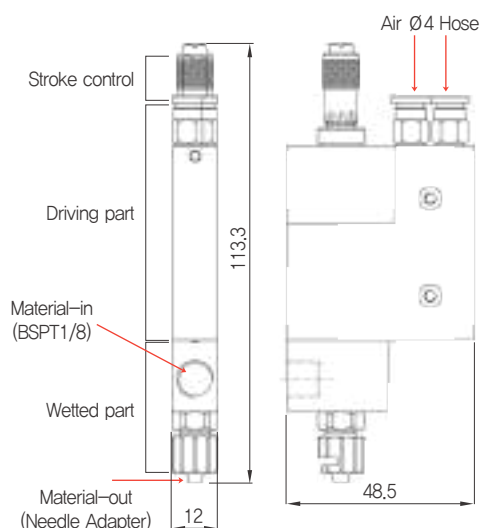
Needle Valve

DV-20F



- **Features**
Lightweight and compact type that's good for multi-structure design, Less ball-up effect due to open/close at the highest end Excellent for a precise and small dot of dispensing by minimizing the internal volume of the material contacting unit
- **Applicable Material**
Low~ medium viscosity material
- **Specifications**

Dimension(mm)		W12.0 x D48.5 x H113.3
Weight		140g
Driving Air Pressure		More than 0.4MPa
Material Feeding Pressure		Max. 0.5MPa
Port Size	Air_IN	Ø4 Hose
	Material_IN	BSPT 1/8
	Material_OUT	NEEDLE ADAPTER (NUT type)
Flux (KV value)		0.5L/min
Driving Part Material		Aluminum
Wetted Part Material		SUS303





Poppet Valve

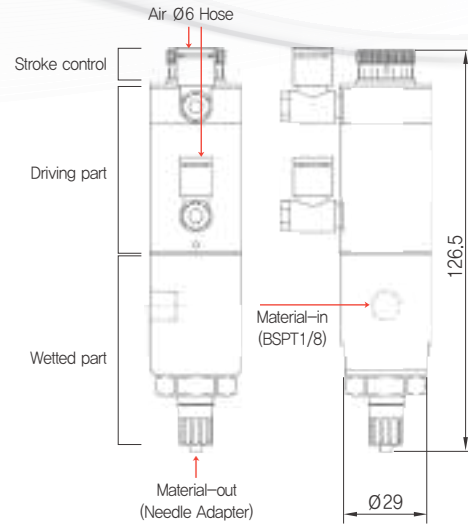
DV-300



- **Features**
Due to designing of snuff-back structure, less ball-up effect after dispensing
- **Applicable Material**
Low~ medium viscosity material

- **Specifications**

Dimension(mm)	Ø29,0 x L126,5	
Weight	200g	
Driving Air Pressure	More than 0,4MPa	
Material Feeding Pressure	Max. 0,6MPa	
Port Size	Air_IN	Ø6 Hose
	Material_IN	BSPT 1/8
	Material_OUT	LUER LOCK(male)
Flux (KV value)	2,4L/min	
Driving Part Material	Aluminum	
Wetted Part Material	Aluminum	



Poppet Valve

DV-300R

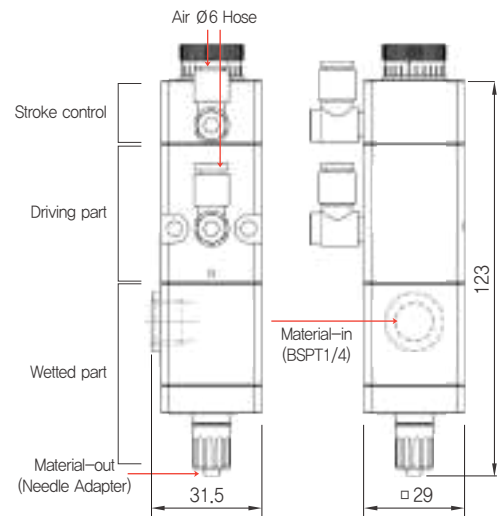


- **Features**
For Medium/high pressure of DV-300, Due to designing of snuff-back structure, less ball-up effect after dispensing
- **Applicable Material**
Medium ~high viscosity material

- **Specifications**

Dimension(mm)	□29,0 x L125,2	
Weight	260g	
Driving Air Pressure	More than 0,4MPa	
Material Feeding Pressure	Max. 5,0MPa	
Port Size	Air_IN	Ø6 Hose
	Material_IN	BSPT 1/4
	Material_OUT	LUER LOCK(male)
Flux (KV value)	1,8L/min	
Driving Part Material	Aluminum	
Wetted Part Material	Aluminum	

* Option of Inlet port : AN Fitting(1/4", 3/8", 1/2", 3/4")



Poppet Valve

DV-300HF

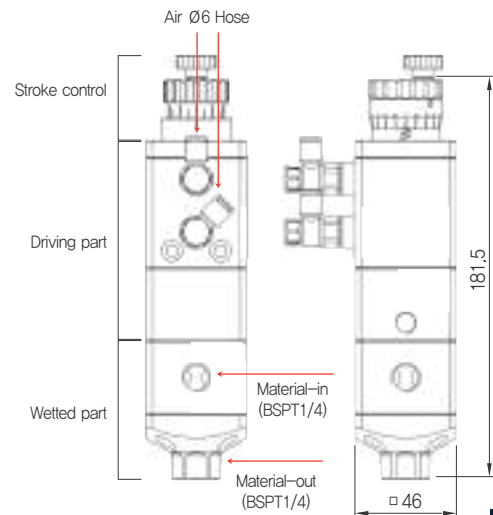


- **Features**
For high-pressure, Excellent for material containing filler and good for great volume of flux
- **Applicable Material**
High viscosity material

- **Specifications**

Dimension(mm)	□46,0 x L181,5	
Weight	850g	
Driving Air Pressure	More than 0,4MPa	
Material Feeding Pressure	Max. 15,0MPa	
Port Size	Air_IN	Ø6 Hose
	Material_IN	BSPT 1/4
	Material_OUT	BSPT 1/4
Flux (KV value)	1,9L/min	
Driving Part Material	Aluminum	
Wetted Part Material	Aluminum	

* Option of Inlet port : AN Fitting(1/4", 3/8", 1/2", 3/4")



DISPENSING VALVE DV Series



Poppet Valve

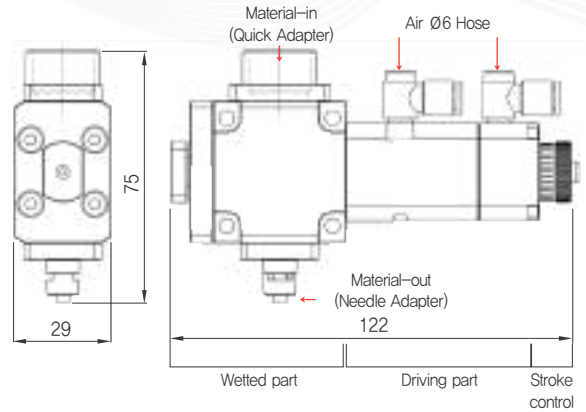
DV-300RH



- **Features**
Horizontal type of DV-300R,
Due to designing of snuff-back
structure, less ball-up effect
after dispensing
- **Applicable Material**
Low~ medium viscosity material

- Specifications

Dimension(mm)		W29,0 x D122,0 x H75,0
Weight		340g
Driving Air Pressure		More than 0,4MPa
Material Feeding Pressure		Max. 0,5MPa
Port Size	Air_IN	Ø6 Hose
	Material_IN	exclusive QUICK ADAPTER
	Material_OUT	LUER LOCK(male)



Flux (KV value)	1,9L/min
Driving Part Material	Aluminum
Wetted Part Material	Aluminum

Poppet Valve

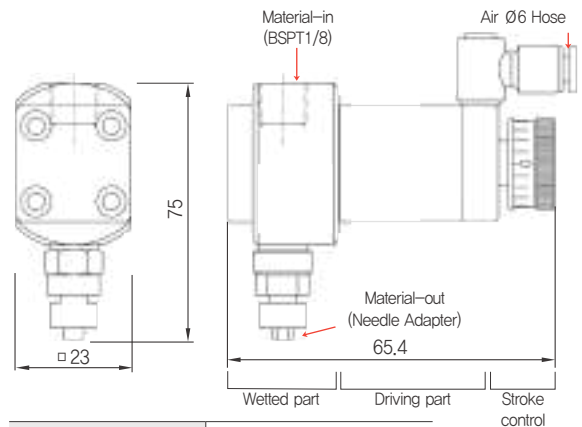
DV-30H



- **Features**
Small & horizontal type of DV-300
Good for installing to multi-head
- **Applicable Material**
Low~ medium viscosity material

- Specifications

Dimension(mm)		W23,0 x D65,4 x H51,0
Weight		82g
Driving Air Pressure		More than 0,4MPa
Material Feeding Pressure		Max. 0,6MPa
Port Size	Air_IN	Ø6 Hose
	Material_IN	BSPT 1/8
	Material_OUT	LUER LOCK(male)



Flux (KV value)	1,2L/min
Driving Part Material	Aluminum
Wetted Part Material	SUS303

Poppet Valve

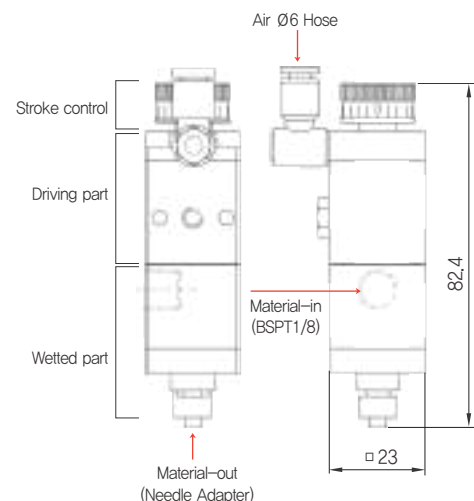
DV-30V



- **Features**
Small & vertical type of DV-300
Good for installing to multi-head
- **Applicable Material**
Low~ medium viscosity material

- Specifications

Dimension(mm)		□ 23,0 x L82,4
Weight		82g
Driving Air Pressure		More than 0,4MPa
Material Feeding Pressure		Max. 0,6MPa
Port Size	Air_IN	Ø6 Hose
	Material_IN	BSPT 1/8
	Material_OUT	LUER LOCK(male)
Flux (KV value)		1,2L/min
Driving Part Material		Aluminum
Wetted Part Material		Aluminum



DISPENSING VALVE DV Series



D/P
Unit

Spool Valve

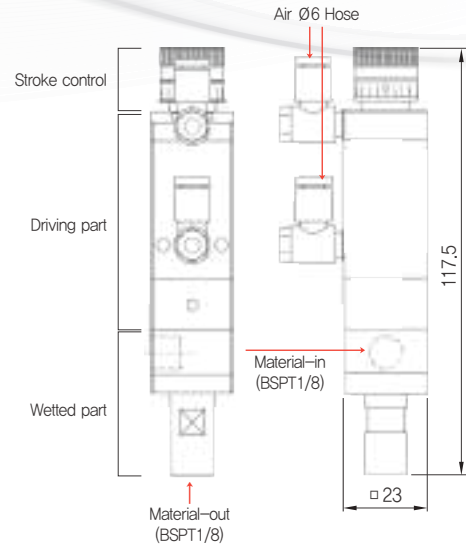
DV-400



- **Features**
A durable high-pressure valve, Due to excellent snuff-back structure, less ball-up effect after dispensing
- **Applicable Material**
Medium~high viscosity material

- Specifications

Dimension(mm)	□ 23,0 x L117,5	
Weight	260g	
Driving Air Pressure	More than 0.4MPa	
Material Feeding Pressure	Max. 5.0MPa	
Port Size	Air_IN	Ø6 Hose
	Material_IN	BSPT 1/8
	Material_OUT	BSPT 1/8
Flux (KV value)	2.1L/min	
Driving Part Material	SUS303	
Wetted Part Material	SUS303	



Spool Valve

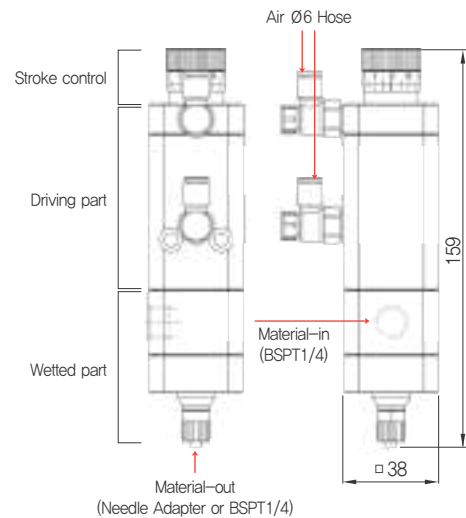
DV-4000



- **Features**
A durable high-pressure valve, Due to excellent snuff-back structure, less ball-up effect after dispensing
- **Applicable Material**
Medium~high viscosity material

- Specifications

Dimension(mm)	□ 38,0 x L159,0	
Weight	480g	
Driving Air Pressure	More than 0.4MPa	
Material Feeding Pressure	Max. 15.0MPa	
Port Size	Air_IN	Ø6 Hose
	Material_IN	BSPT 1/4
	Material_OUT	LUER LOCK(male), BSPT 1/4
Flux (KV value)	2.3L/min(LUER LOCK), 3.5L/min(BSPT1/4)	
Driving Part Material	Aluminum	
Wetted Part Material	Aluminum	



Slide Valve

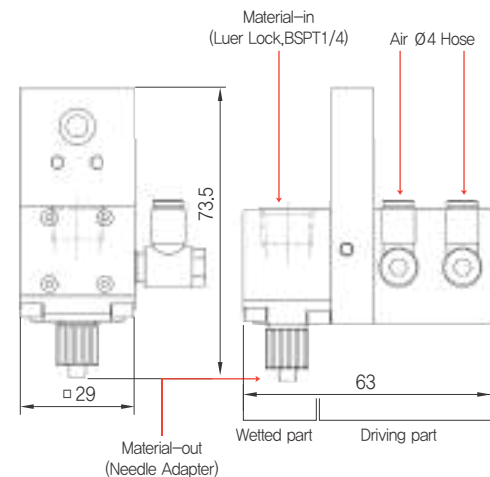
DV-50W



- **Features**
Excellent for dispensing high-filler materials in a precise and tiny quantity
- **Applicable Material**
Medium~high viscosity material and material containing high-filler (solder paste, silver paste, thermal grease, etc)

- Specifications

Dimension(mm)	W29,0 x D63,0 x H73,5	
Weight	200g	
Driving Air Pressure	More than 0.45~0.6MPa	
Material Feeding Pressure	Max. 10.0MPa	
Port Size	Air_IN	Ø4 HOSE
	Material_IN	LUER LOCK , BSPT 1/4
	Material_OUT	LUER LOCK(male)
Flux (KV value)	1.7L/min	
Driving Part Material	Aluminum	
Wetted Part Material	AL, WC, HSS	



- Features

Excellent for various applications as the material of the wetted part can be changed according to the material used

METERING VALVE MV Series

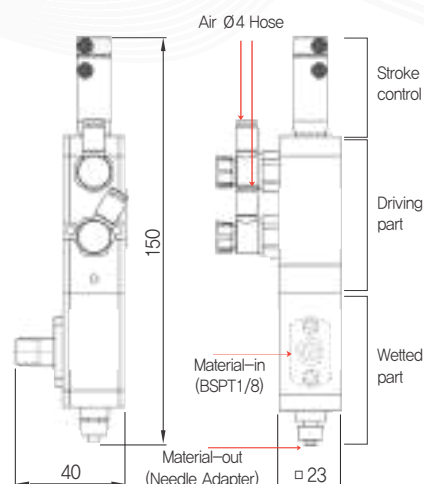
Plunger Valve

PP-015



- Features
 - A volumetric valve for high precision dispensing.
 - Installed micrometer for fine regulating of shot volume
- Applicable Material
Low~ medium viscosity material
- Specifications

Dimension(mm)	□ 23,0 x L150,0
Weight	320g
Driving Air Pressure	More than 0,4MPa
Material Feeding Pressure	Max. 0,03MPa (Spring : 0,3mm)
	Max. 0,12MPa (Spring : 0,5mm)
Shot Volume	0,05~0,15cc
Port Size	Air_IN Ø4 Hose
	Material_IN BSPT 1/8
	Material_OUT LUER LOCK(male)
Driving Part Material	Aluminum
Wetted Part Material	SUS303



Metering Spool Valve

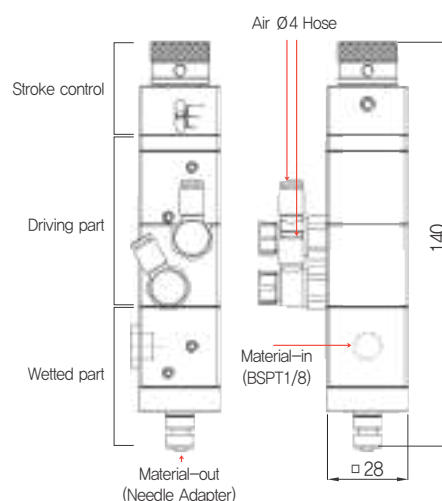
MSV-1

Excellent performance of fine dispensing with collaboration of metering chamber and high-pressure valve



- Features
 - A metering valve for high precision dispensing (accuracy ±1%)
 - Excellent durability due to special seal structure
 - Easy regulating the flux, Due to excellent snuff-back structure
 - Less ball-up effect after dispensing
- Applicable Material
Medium ~ high viscosity material
- Specifications

Dimension(mm)	□ 28,0 x L140,0
Weight	280g
Driving Air Pressure	More than 0,4MPa
Material Feeding Pressure	Min. 2,5MPa, Max.15,0MPa
Shot Volume	0,02cc
Port Size	Air_IN Ø4 Hose
	Material_IN BSPT 1/8
	Material_OUT LUER LOCK(male)
Driving Part Material	Aluminum
Wetted Part Material	Aluminum



Metering Plunger Valve

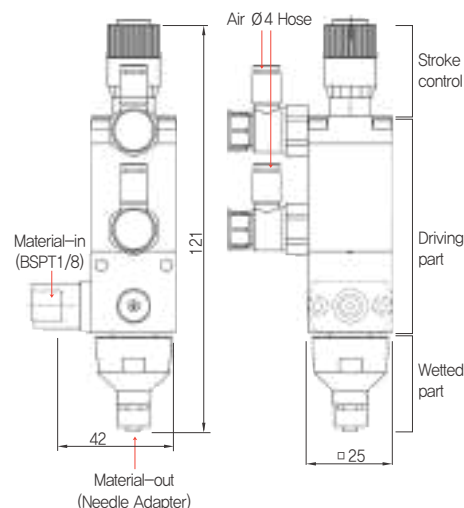
MPV-01

Excellent performance of fine dispensing with collaboration of metering chamber of plunger type and ball-valve



- Features
 - High precision dispensing (accuracy ±1%)
 - Applicable to wide range of viscosity(10,000~500,000cps)
 - Metering chamber can be dispensed consistently regardless of viscosity or air pressure
 - Vent knob removes air bubbles in the metering chamber and allows fine dispensing
- Applicable Material
High~ medium viscosity material
- Specifications

Dimension(mm)	□ 25,0 x L121,0
Weight	280g
Driving Air Pressure	More than 0, 5MPa
Material Feeding Pressure	Min. 0,2MPa, Max. 3,0MPa
Shot Volume	0,005cc
Port Size	Air_IN Ø4 Hose
	Material_IN BSPT 1/8
	Material_OUT LUER LOCK(male), BSPT 1/8
Driving Part Material	Aluminum
Wetted Part Material	SUS303



Twin Dispensing Valve

TDV-300T



- Features

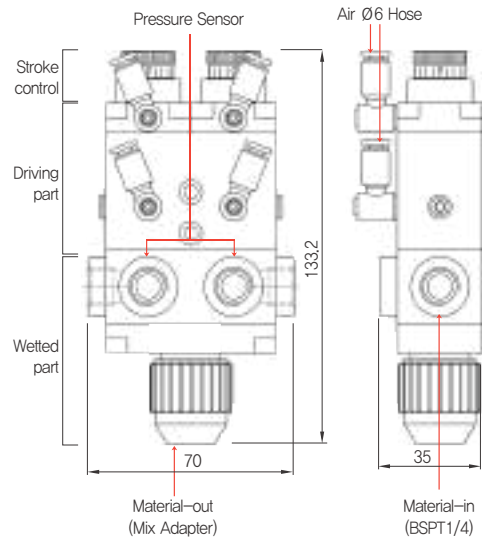
- Multi-purpose air pressure operated valve with a dedicated poppet type valve for a wide range of viscosity
- Due to excellent snuff-back structure, less ball-up effect after dispensing
- Mixing ratio of resin and hardener -> 1:1, 2:1, 4:1 and 10:1

- Applicable Material

Low~high viscosity material

- Specifications

Dimension(mm)	W70.0 x D35.0 x H133.2	
Weight	530g	
Driving Air Pressure	More than 0.4MPa	
Material Feeding Pressure	Max. 0.6MPa	
Port Size	Air_IN	Ø6 HOSE
	Material_IN	BSPT 1/4
	Material_OUT	MIX ADAPTER
Flux (KV value)	2.9L/min	
Driving Part Material	Aluminum	
Wetted Part Material	Aluminum	



Double Dispensing Valve

DDV-300



- Features

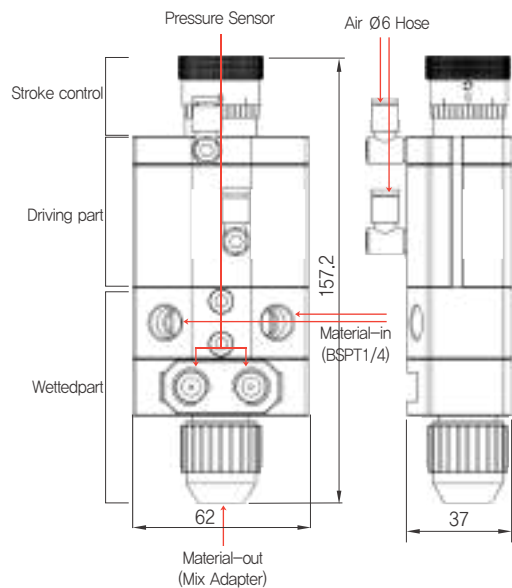
- Multi-purpose air pressure operated valve with a dedicated poppet type valve for a wide range of viscosity
- Due to excellent snuff-back structure, less ball-up effect after dispensing
- Mixing ratio of resin and hardener -> 1:1 only

- Applicable Material

Low~high viscosity material

- Specifications

Dimension(mm)	W62.0 x D37.0 x H157.2	
Weight	690g	
Driving Air Pressure	More than 0.4MPa	
Material Feeding Pressure	Max. 0.6MPa	
Port Size	Air_IN	Ø6 HOSE
	Material_IN	BSPT 1/4
	Material_OUT	MIX ADAPTER
Flux (KV value)	2.9L/min	
Driving Part Material	Aluminum	
Wetted Part Material	Aluminum	



TANK SSR / SSF Series

High efficiency in dispensing because a large amount of liquid is contained in the tank.

High responsiveness thanks to the various standardized options according to the characteristics of the liquids and the customers' needs (electrolytic polishing, Teflon coating, etc.)

Safety-certificated type can be custom-made to enhance work site stability.

As our products are standardized in various types of capacities (1-50L), with a method of inputting liquid directly and a method of using internal containers, we have the system that can be immediately delivered.

《《《 By applying Taeha's advanced dispensing expertise and our highly reliable pressure tank, we propose the most suitable applications for customers.

– Tank Specifications

Material	SUS304
Cover Type	Ferrule Clamp Type
Material Outlet	Bottom port(BSPT3/8", Female) *option : Top port
Polishing	Buff Polishing
Sealing	O-Ring(NBR), Capsule O-Ring(Viton) Silicone O-Ring, EPDM O-Ring
Operating Pressure	0.5MPa

〈TANK of OPTION〉

PRESSURE REGULATOR

Model	Description
TRS-04	G-Medium pressure type, 0~0.4Mpa
TRS-07	G-High pressure type, 0~0.7Mpa
TRS-04P	P-Medium pressure type, 0~0.4Mpa
TRS-07P	P-High pressure type, 0~0.7Mpa

* G : General type, P : Precise type

MATERIAL INLET PORT

1.5S/2S/2.5S/3S Ferrule Clamp type
(The size of the pipe connecting depends on the size of clamp)

LEVEL PIPE

∅6 x ∅8 PFA Hose
PFA 1/2" Hose

LEVEL SENSOR

Model	Description
TLS-H	Floating type, SUS304, High-limit
TLS-L	Floating type, SUS304, Low-limit
TLS-HL	Floating type, SUS304, High/Low-limit

AGITATOR

Model	Motor	Use Tank
TAU-20S	DC Motor, 20W, ∅ 60mm	1L, 3L, 5L
TAU-90S	DC Motor, 90W, ∅ 90mm	10L, 20L, 30L, 40L, 50L, 60L

SAFETY VALVE

TANK HEATING

Type	Operating Temp	Max.Voltage
Silicone Rubber Heater (for End plate)	-62°C ~ 260°C	380VAC
Aluminum Jacket Heater	-62°C ~ 150°C	380VAC



MATERIAL OUTLET PORT

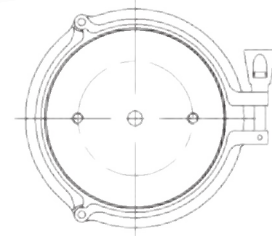
BSPT 3/8



Stainless Straight Round type (SSR Series)

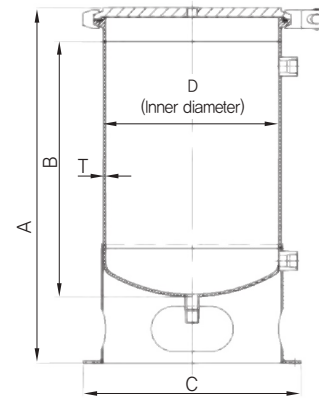


Dimension



- A type that uses liquid put directly into the material.
- The wide opening makes it easy to add liquid materials and easy to clean.
- There is no liquid balance due to fluidity due to the lower plate structure.

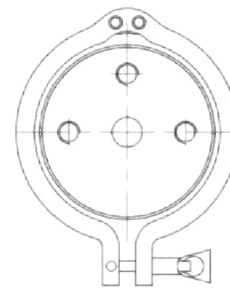
Tank Size	Unit(mm)				
Model	A	B	C	D	E
SSR-1BP	245	153	Ø142	Ø97.6	2.0
SSR-3BP	280	174.1	Ø205	Ø159.6	2.8
SSR-5BP	353.5	249.1	Ø205	Ø159.6	2.8
SSR-10BP	433.7	311	Ø265	Ø210.3	3.0
SSR-20BP	728.7	605	Ø265	Ø210.3	3.0



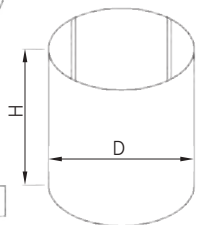
Stainless Straight Flat type (SSF Series)



Dimension



<Inner Container>

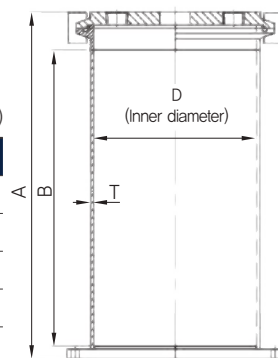


- Since the liquid is put into the inner container, there is no contact between the inside of the tank and the liquid.
- The wide opening makes it easy to add liquid materials and easy to clean.
- Suitable for acids, anaerobic liquids and two-component materials that react with metals.

Inner Container

- Material : SUS304(STD), PE/TEFLON(option) **Internal surface : Teflon Coating (option)

Tank Size	Unit(mm)				
Model	A	B	D	T	Inner Container(ØDxH)
SSF-1TP	209	178	Ø97.6	2.0	Ø101.6x215
SSF-3TP	240.5	199	Ø159.6	2.8	Ø155x210
SSF-5TP	294.52	250	Ø159.6	2.8	Ø155x320
SSF-10TP	394.3	341	Ø210.7	2.8	Ø205x365
SSF-20TP	689.3	648	Ø210.7	2.8	Ø205x660



VACUUM&AUTO-CONTROL TYPE 1K / 2K

MFSV1 MFSV2

PRESSURIZED&AUTO-CONTROL TYPE 1K / 2K

MFSP1 MFSP2

VACUUM&MANUAL-CONTROL TYPE 1K / 2K

MFEV1 MFEV2

PRESSURIZED&MANUAL-CONTROL TYPE 1K / 2K

MFEP1 MFEP2

The MFS/MFE series is a material supply-only equipment that transports and supplies 1-component and 2-component materials in a stable way. The device enables stable and economical process maintenance for a long period of time as it is possible to supply continuously and infinitely with one tank per material. It is a new concept of safety equipment that does not require industrial safety certification as it does not require compressed air. It is possible to freely adjust the vacuum degassing time, preheating function, and stirring function according to the characteristics of the materials.

By applying the vacuum pump, the inside of the tank containing the material can be kept in a vacuum state at all times. There is no hardening problem due to moisture in the air, so there is no need for cleaning a tank and the storage of liquid is excellent. Even if there is no separate degassing process (vacuum→pressurization→exhaust), the material remains completely degassed. It is suitable for preventing the hardening of materials that are particularly sensitive to moisture (polyurethane, conformal coating, etc.), and is a facility that can easily transport difficult liquids.

It is a new concept of a material feeding device that can additionally install various options in the facility according to the types of materials and the characteristics of the customers' processes. It can be combined with various dispensing devices and dispensers, so it is very easy to apply them to the production line. Composed of a tank of various capacities required for material supply and a tablet capable of a touch screen, it can be configured so that it is compact and easy to operate and maintain by the user.

Item	BASIC SPECIFICATIONS		Remarks
	MFS (AUTO-CONTROL)	MFE (MANUAL_CONTROL)	
Dimension WxHxD (mm)	1780 x 1950 x 900	1700x1300x600	*Based on STD V2020
Weight	≒ 250kg	≒ 200kg	*Weight & Size depends on the specifications of option product
Power	AC220V, 50/60Hz		
Power Consumption	250VA		
Tank Size	5L, 10L, 20L, 30L, 40L, 60L		*Special type can be custom-made
Operating Air Pressure	0.4~0.5MPa		
Feeding Air Pressure	0.1~0.5MPa		
User Interface	Touch PC (Windows10)	3WAY VALVE	
Temperature	10~40°C		
Humidity	10~85%RH		
Vibration Resistant	Less than 0.5G		
Controller	MSC-100	PEV	

MFS Automatic Control Type Series

With the user interface of the touch screen and the dedicated software installed, it is easy for the operator to operate and maintain. One-component and two-component options can be manufactured, and a variety of options are additionally applied to realize the supply of materials suitable for the customers' demands.

1K 2K AUTO VACUUM



1K 2K MANUAL VACUUM

MFE Series of Manual Control Type

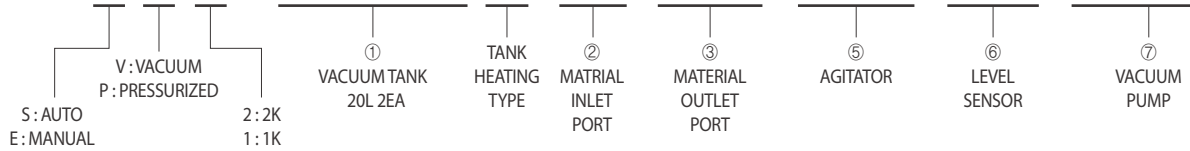
This specification is suitable for customers who want material feeding devices with similar performance at more reasonable prices. It is equipped with a manual control type dedicated controller controlled with a 3-way hand valve, so it is easy for the operator to operate and maintain and repair. One-component and two-component are possible to manufacture and a variety of options are additionally applied to realize the supply of materials suitable for customers' demands.



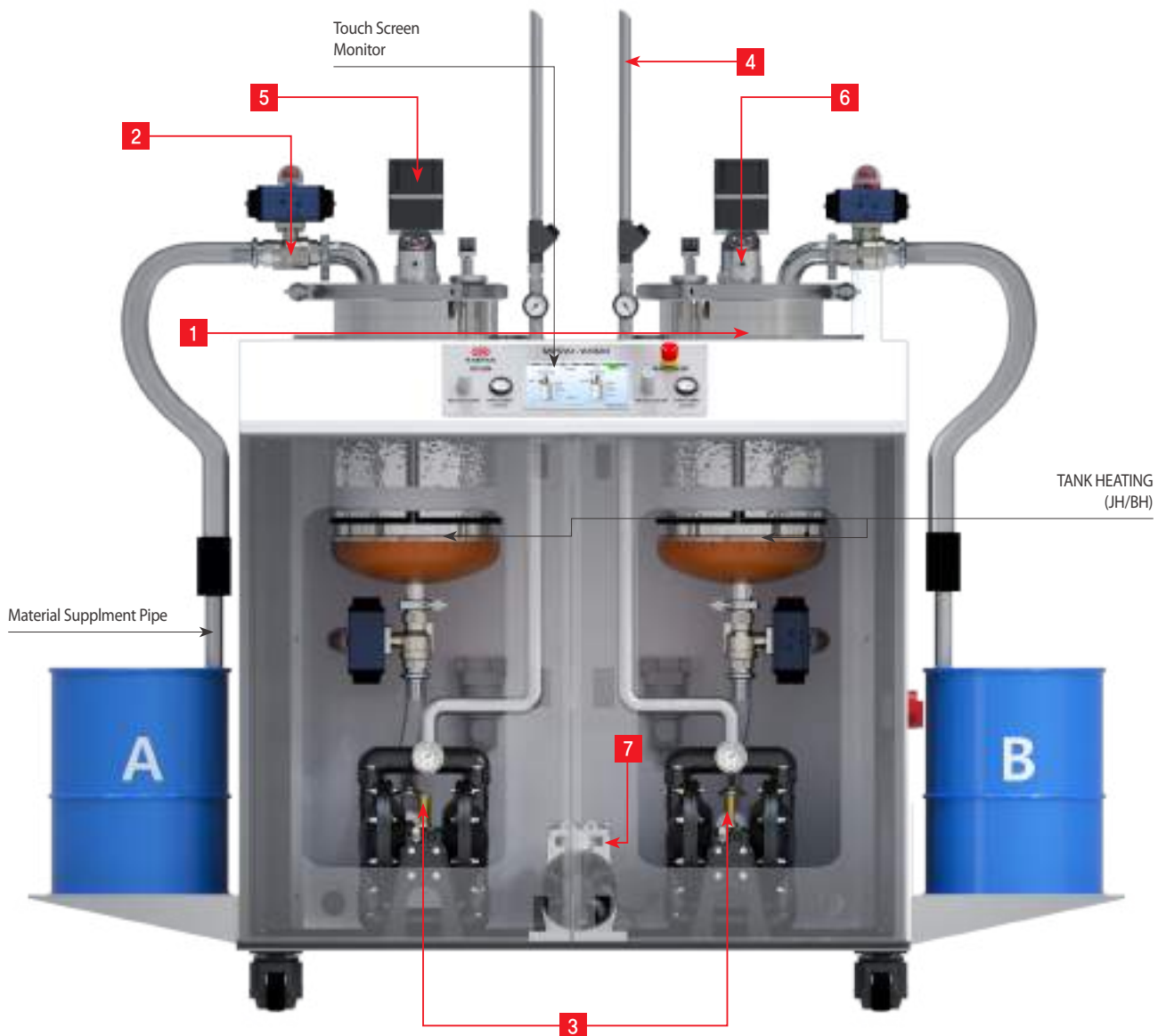
Model Naming(with Option)

(See page 57)

MF S V 2 - V 2020 BH - M1S - D25A1 - TAU90S - LT400 - GWSP150



❖ In the below of equipment images and option specification table, not all optional products required to configure the material feeding devices are displayed. A detailed consultation with our sales manager is required for accurate equipment manufacturing. Detailed consultation with our sales manager is required for accurate equipment manufacturing.



MFS / MFE OPTION SPECIFICATIONS

Option/Type		Model No.						Descriptions	Remarks			
		[Pressure Type (P)]			[Vacuum Type (V)]							
		1K	2K	1K,2K	1K	2K	1K,2K					
1 MATERIAL TANK		P05	P3030D	P3030	V05	V6060D	V6060	*05 : SUS304 5L TANK *10 : SUS304 10L TANK *20 : SUS304 20L TANK *30 : SUS304 30L TANK *40 : SUS304 40L TANK *60 : SUS304 60L TANK **Note P20D : 20L Pressure Tank 2EA P3030 : 30L Pressure Tank 2EA V2010 : 20L Vacuum Tank 1EA &10L Vacuum Tank 1EA V2020D : 20L Vacuum Tank 4EA	P : SUS304 Pressure Tank V : SUS304 vacuum Tank D : DUAL TANK, AUTO SWITCHING 1K : One Component 2K : Two Component JH : JACKET HEATING TYPE BH : BAND HEATING TYPE ◎ : STANDARD			
		P10	P3020D	P3020	V10	V6030D	V6030					
		◎ P20	P3010D	P3010	◎ V20	V6020D	V6020					
		P30	P3005D	P3005	V30	V6010D	V6010					
		P05D	P2020D	◎ P2020	V40	V4040D	V4040					
		P10D	P2010D	P2010	V60	V4020D	V4020					
		◎ P20D	P2005D	P2005	V05D	V4010D	V4010					
		P30D	P1010D	P1010	V10D	V3030D	V3030					
			P1005D	P1005	◎ V20D	V3010D	V3010					
					V30D	V2020D	◎ V2020					
					V40D	V2010D	V2010					
					V60D	V2005D	V2005					
					V1010D	V1010						
				V1005D	V1005							
2 INLET/ TRANSFER PORT	MANUAL	◎ M1S						25A(Ø34) 1"	For 5L TANK			
		◎ M1.5S						32A(Ø43) 1", 1/4"	For 10L - 60L TANK			
		M2.5S						50A(Ø60) 2"	For 20L - 60L TANK			
	PIPE	◎ P25A						HOSE 25-32	Viscosity 5,000cps			
		P32A						HOSE 32-39.5	50,000cps			
		D20A1						BSPT 3/4, 1:1	5,000cps			
DIAPHRAGM	◎ D25A1						BSPT 1, 1:1	5,000cps				
	T02						BSPT 1/4 TAP	For 5L TANK				
	◎ T03						BSPT 3/8 TAP	For 5L - 20L TANK				
3 OUTLET/ FEEDING PORT	PT OUTPUT	T04						BSPT 1/2 TAP	For 10L - 60L TANK			
		T05						BSPT 3/4 TAP	For 20L - 60L TANK			
	DIAPHRAGM	[5,000cps]			[20,000cps]			*20A1 : BSPT 3/4, 1:1 *20A3 : BSPT 3/4, 3:1 *25A1 : BSPT 1, 1:1 *25A3 : BSPT 1, 3:1 *C : CIRCULATE	◎ : STANDARD			
		D20A1			D20A3							
		D20A1C			D20A3C							
		◎ D25A1			D25A3							
	PROPUMP	◎ D25A1C			D25A3C			*1500 : PCP-1500 *5000 : PCP-5000 *15K : PCP-15000 *C : CIRCULATE *D : PUMP 2EA	◎ : STANDARD Option : HEATING (H)			
		TANK 5L-20L		TANK 10L-60L		TANK 20L-60L						
		P1500		P5000		P15K						
		P1500C		P5000C		P15KC						
		P1500D		◎ P5000D		P15KD						
P1500DC		◎ P5000DC		P15KDC								
TEFLON HOSE PFA (INCH)	TANK 5L-20L		TANK 5L-60L		TANK 10L-60L		*02 : 1/4" *03 : 3/8" *04 : 1/2" *05 : 3/4" *D : 2EA *HOSE LENGTH : X1.5M, X3M, X5M, X7M *HOSE SIZE : PFA (OUTER) HP (INNER)	*PFA : Teflon Hose *HP : High-pressure Hose *Option : HEATING (H)				
	PFA02		PFA03		PFA04							
	PFA02D		PFA03D		PFA04D							
			PFA0503		PFA0504							
			PFA0503D		PFA0504D							
			PFA043		PFA0404D							
HIGH PRESSURE HP (INCH)	TANK 5L-20L		TANK 5L-60L		TANK 10L-60L		*HOSE LENGTH : X1.5M, X3M, X5M, X7M *HOSE SIZE : PFA (OUTER) HP (INNER)	*PFA : Teflon Hose *HP : High-pressure Hose *Option : HEATING (H)				
	HP02		HP03		HP04							
	HP02D		HP03D		HP04D							
			HP0503		HP0504							
			HP0503D		HP0504D							
			HP043		HP0404D							
	AGITATOR / CIRCULATION	AGITATOR	◎ TAU40S						BLDC Motor, 40W, ϕ 60mm	For 5L TANK		
			◎ TAU90S						BLDC Motor, 90W, ϕ 90mm	For 10L - 20L TANK		
			◎ TAU150S						BLDC Motor, 150W, ϕ 150mm	For 30L - 60L TANK		
		CIRCULATION (INTERVAL)	CIR20A						1/4", 1:1	For 5L - 10L TANK		
			CIR25A						1", 1:1	For 20L - 60L TANK		
6 LEVEL SENSOR	LEVEL TRANSMITTER	CAPACITANCE SENSOR		FLOAT SENSOR		*LEVEL TRANSMITTER : BSPP 3/4, Capacity(200~700L) *FLOAT SENSOR : BSPP 3/4, Capacity(200~700L) *CAPACITANCE SENSOR : M12 X (1~4EA)	*All type of Capacitance Sensor can be applied to Tank of 5L~60L *Qty of Sensor : X01, X02, X03 - X01 : LOW LIMIT 1EA - X02 : LOW LIMIT/PRE each 1EA - X03 : LOW LIMIT/PRE each 1EA HIGH LIMIT 1EA					
		CS01		FS200, 5L								
		CS02		FS300, 10L								
		CS03		FS400, 20L								
		CS04		FS500, 30L								
				FS600, 40L								
OIL TYPE	W2V20						200L/min	*Can be applied to Tank of 5L~60L *Qty of Pump : X1, X2, X4				
	DRY TYPE (GEOWELL)	GWSP150							150L/min			
		GWSP300							250L/min			
	DRY TYPE (THOMAS)	TVP-2685							115L/min			
		TVP-2685D							230L/min			
DRY TYPE (EVP VACUUM)	EVP200PB						200L/min					

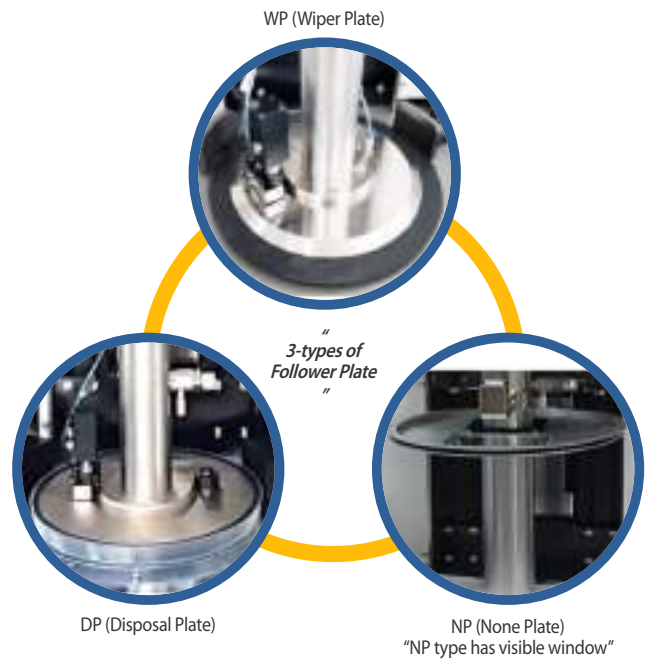
◎ : STANDARD

PRO-CP Series

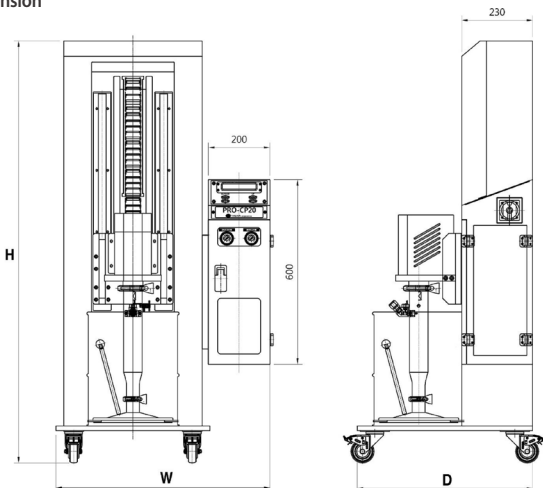
The PRO-CAN PUMP is a facility that can feed materials cleanly without mixing foreign substances or air bubbles by transferring the material contained in the container as it is. High-viscosity liquids can be transported with high precision over long distances, and the materials in a fixed quantity are precisely fed by adopting an electric motor method instead of a drive method using air.

It is very economical because it can use up to 1% of the remaining liquid in the container by applying a special follower plate developed by our company. With the application of the AUTO AIR VENT, air bubbles are automatically removed without additional air bubbles when supplying and replacing materials. Various lineups are provided according to the size of the CAN container. Please consult with our sales manager to select the correct specifications.

PRO-CP (1K)



Dimension



PRO-CP (1K)

Model	PRO-CP20
Can Size	20kg
Weight	≒ 150kg
Air Pressure	0.4~0.5MPa (Humidity 5% less than, Air Filter 5μ less than)
Power	AC220V(± 10%), 50/60Hz
Power Consumption	max 2.6kW
Display	5inch TFT LCD
Operating Method	Touch screen, Button S/W
Operating Mode	AUTO/MANUAL/TEST
Viscosity	1~500,000(cps)
Dosing Pressure	5.0MPa
Displacement	5.0ml/rev
Flux	max 300ml/min
Accuracy	± 1%
Min. Feeding vol	25.0ml/min
Motor Speed	1~150rpm (60rpm Recommended)
Inlet Port	One touch fitting PC (∅8)
Outlet Port	BSPT 3/8, 1/2, 3/4, 1
Material of Stator	FFKM/EPDM
Temperature	0~50°C (Avoid direct sunlight)
Humidity	10~85%RH
Vibration Resistance	Less than 0.5G
Comm. Connector	LAN(Modbus TCP), RS485(Modus RTU)
Follower Plate	WP(Wiper Plate) / DP(Disposal Plate) / NP(None Plate)

A high-precision material feeding device with one-component and two-component types in an electric motor method that combines the CAN PUMP with the PRO-PUMP



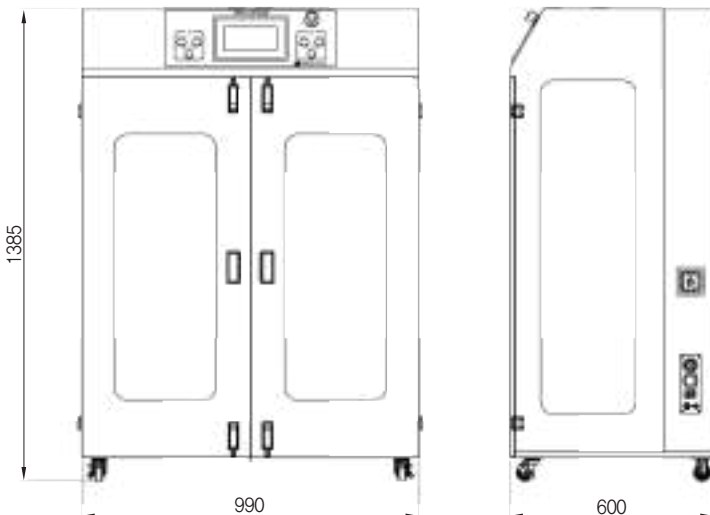
PRO-CPD (2K) CE



PRO-CPD (2K)

Model	PRO-CPD20
Can Size	20kg
Weight	≈320kg
Air Pressure	0.4~0.5MPa (Humidity 5% less than, Air Filter 5μ less than)
Power	AC200V~240V, 50/60Hz
Power Consumption	5.2kW
Display	7inch TFT LCD
Operating Method	Touch screen, Button S/W
Operating Mode	AUTO/MANUAL/TEST
Viscosity	1~500,000(cps)
Dosing Pressure	5.0MPa
Displacement	5.0ml/rev
Flux	300ml/min
Accuracy	±1%
Min. Feeding vol	25.0ml/min
Motor Speed	1~150rpm (60rpm Recommended)
Inlet Port	One touch fitting PC (∅8)
Outlet Port	BSPT 3/8, 1/2, 3/4, 1
Material of Stator	FFKM/EPDM
Temperature	0~50°C (Avoid direct sunlight)
Humidity	10~85%RH
Vibration Resistance	Less than 0.5G
Comm. Connector	LAN(Modbus TCP), RS485(Modus RTU)
Follower Plate	WP(Wiper Plate) / DP(Disposal Plate) / NP(None Plate)

Dimension



Semi-Automated System

By incorporating a dispenser into high-end, high-performance tabletop robot equipment, it can be applied as a SEMI-AUTO system to the customers' various dispensing processes. With its simple and compact design and structure, it can be conveniently configured as an automatic system, and a variety of options can be selected. Please consult with the sales manager about the customer's required dispensing conditions and select an appropriate system.



JR3000F Heavy Duty Type

Be equipped with a feedback motor to carry heavy tool and workpiece payloads, Z-Axis brake is for preventing damage to the tool and workpiece

Easy Installation Camera



- The camera function is enhanced to accommodate more sophisticated industrial sites.
- The CCD camera is enhanced with functions of automatic calibration and counter to increase the utilization of the camera system.

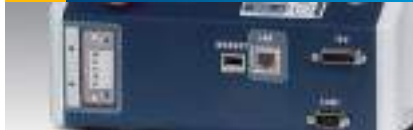
Various Languages

- The Teaching Pendant contains more than 10 languages, so it is possible to easily program and perform robot work in various foreign countries.

More Robust Robot

- It is fast (a maximum speed of 900 /sec) with more reinforced stiffness, and accurate. The stability can be built to operate without stopping for a long time.
- When the camera with the more stable tracking function reaches the Z mechanism, even with the faster operation, it significantly reduces the robot's quiescent vibration, reducing latency by about 50 percent compared to the previous model.

Fieldbus Compatibility & Ethernet(LAN) Default Option



- The operator can select among CC LINK, DeviceNet, and PROFIBUS.
- It's equipped with a LAN port as a default, and it is possible to control several robots with one PC.

Robot Shaft & External Motor Control



- Just like handing the robot axis at the teaching pendant, the two-pulse string input device such as the stepping motor or servo motor is programmed.
- The robot is controlled by installing a conveyor by changing the worktable setting and the direction of the product to be worked.

JR3000 Series Specification

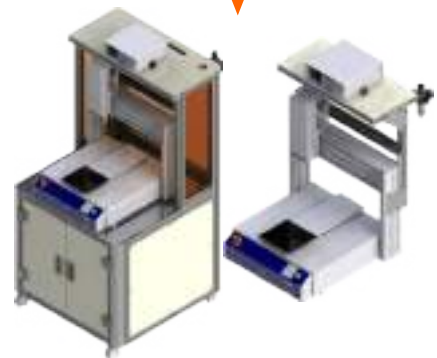
Item	Model	■ : 3Axes synchronous control ■ : 4Axes synchronous control									
		JR3203	JR3204	JR3303	JR3304	JR3403	JR3404	JR3503	JR3504	JR3603	JR3604
Operating Range	X · Y Axes(mm)	200x200		300x320		400x400		510x510		510x620	
	Z Axis(mm)	50		100		150		150		150	
	R Axis(°)	—	±360	—	±360	—	±360	—	±360	—	±360
Max. Portable Load	X Axis(Workpiece) (kg)	7		15		15		15		15	
	Y Axis(Tool) (kg)	3.5		7		7		7		7	
Max. Speed (PTP Drive) () : Range	X · Y Axes(mm)	700(7~700)		900(9~900)		900(9~900)		900(9~900)		900(9~900)	
	Z Axis(mm/sec)	250(2.5~250)		400(4~400)		400(4~400)		400(4~400)		400(4~400)	
	R Axis(°/sec)	—	600(6~600)	—	900(9~900)	—	900(9~900)	—	900(9~900)	—	900(9~900)
Max.Speed(CP Drive) () : Range	X · Y · Z Combined(mm/sec)	600(0.1~600)		850(0.1~850)		850(0.1~850)		850(0.1~850)		850(0.1~850)	
Repeatability	X · Y Axes(mm)	±0.006	±0.01	±0.007	±0.01	±0.007	±0.01	±0.008	±0.01	X: ±0.008 Y: ±0.01	±0.01
	Z Axis(mm)	±0.006	±0.01	±0.007	±0.01	±0.007	±0.01	±0.008	±0.01	±0.008	±0.01
	R Axis(°)	—	±0.008	—	±0.008	—	±0.008	—	±0.008	—	±0.008
External Dimension WxDxH (excluding protrusions)(mm) () : double column type		323x387x554	323x387x676	560x535x659	560x535x844	584x631x807 (615x631x807)	584x631x894 (615x631x894)	678x731x807	678x731x894	790x731x807	790x731x894
Weight(kg) () : double column type		20	22	35	38	42 (45)	46 (49)	44	47	45	48

JR3000F Specification

Model	Item	3Axes synchronous control	
		JR3303F	JR3403F
Operating Range	X · Y Axes(mm)	300x320	400x400
	Z Axis(mm)	150	150
Max. Portable Load	X Axis(Workpiece) (kg)	20	20
	Y Axis(Tool) (kg)	15	15
Max. Speed (PTP Drive)	X Axis(mm/sec)	up to 5kg	1000
		up to 10kg	800
		up to 20kg	600
	Y Axis(mm/sec)	up to 1kg	900
		up to 5kg	800
		up to 10kg	600
	Z Axis(mm/sec)	up to 15kg	500
		up to 5kg	400
		up to 10kg	300
	up to 15kg	200	
Max.Speed(CP Drive)	X · Y · Z Combined(mm/sec)	850	850
Repeatability	X · Y · Z Axes(mm)	±0.01	±0.01
External Dimension WxDxH (excluding protrusions) (mm)		560x535x807	615x631x807
Weight (kg)		35	45

FRAME CONFIGURATION

- Basic type
- Shelf type
- Full frame open type
- Full frame close type
- Full frame acryl cover type



The SEMI-AUTO system with a desktop robot can be installed in a narrow space, enabling the use of efficient space. The convenient and compact system enables precise motion control and discharge in a fixed quantity by a robot simultaneously. Easy to change a product and control enough to make it suitable for small quantity production of multiple products with a memory function. Excellent versatility with various combinations of dispensers and accessories. Since various frames for applying the SEMI-AUTO system are standardized, post management is easy.

PROS-100 Series

The in-line automation facility can be applied to various processes in industrial sites that require dispensing, such as under-fill, UV bonding, and epoxy molding. The system can transfer, align, apply a dispensing position, and dispense products with the all-in-one facility.



Features



Depending on the dispensing process, it is possible to select a dispenser suitable for materials such as silicone, epoxy, UV material, and acrylic. It is possible to select a variety of dispensers and material feeding devices, including barrel, cartridge, tank, pneumatic valve, plunger pump, PRO-PUMP and jetting valve.

It is an in-line automation facility that transfers products through a conveyor, aligns products by an orthogonal robot, sets the dispensing position with a 3-axis motion robot, and performs dispensing work with a dispenser.

It's possible to select the vision, conveyor type, dispenser, etc. as options depending on the product to be applied, use, work environment, and work process. The control PC with a 10-inch monitor in the basic operating environment of the facility and even PLC control can be selected as necessary.

Motion and conveyors are unique special products to minimize the facility's exterior size and to expand the internal work area. It is designed to realize the same working speed as a dual conveyor of the single size equipment in a structure that can operate a double stage on the X-axis line.

Specifications

Item	Specification	Remark
Dimensions W x D x H (mm)	1200 x 1150 x 1680 (mm)	This size depends on the specifications of option product
System Configuration	CONVEYOR + 3-AXIS CARTESIAN ROBOT + DISPENSER	
Power	AC220V, 50/60Hz 50A	3 PHASE
Control Method	PLC, TOUCH, TOUCH CONTROLLER	
User Interface	OPERATION PC, TEACHING PENDANT	
Power Consumption	5 bar over	
Operating Air Pressure	0.4~0.8MPa	
Dispensing robot	3-Axis Cartesian Robot (X:300, Y:200, Z:200mm)	
Robot Speed	LM GUIDE (MAX 600mm/sec)	Accuracy ±0.02mm

VDS-3C (3-Chamber)

When an air trap occurs due to the shape of the product to be dispensed, the liquid is dispensed in a vacuum environment to prevent air bubbles.

Three chambers, such as the INLET chamber-DISPENSING chamber (constant vacuum)-OUTLET chamber, etc., go through the process of input-dispense-discharge and provide a cleaner environment and a work process free from air bubbles.

It can be applied to the automation line and applied as an IN-LINE facility.

By applying touch panel display, it is easy for the operator to set, operate, maintain and repair. It is possible to check and control the exact vacuum pressure in the vacuum chamber by using the CONVECTION vacuum gauge. It is a system that can check the liquid capacity in a vacuum chamber by applying a capacitance sensor.

Input >>



Custom-made facilities suitable for the customers' needs

You can experience Taeha's rich dispensing expertise through our customized automation solution.

Specification VDS-3C

Item	Specification	Remark
Dimension W x D x H (mm)	3270 x 1170 x 1785 (mm)	This size depends on the specifications of option product
System Configuration	Inlet Chamber + Dispensing Chamber + Outlet Chamber	
Power	AC220V, 50/60Hz 50A	3 PHASE
Control Method	PLC, TOUCH, TOUCH CONTROLLER	
User Interface	OPERATION PC, TEACHING PENDANT	
Power Consumption	5 bar over	
Operating Air Pressure	0.5MPa	
Range of Pressure	1mbar ~ -1013mbar	
Applicable Material	Conformal / Silicone	
Dispensing Robot	3-Axis Robot (X:300, Y:200, Z:200mm)	
Cartesian Robot (Speed)	LM GUIDE (MAX 600mm/sec)	Accuracy ±0.02mm

**Detailed consulting with our sales manager is required for accurate equipment manufacturing

By performing the dispensing process in a vacuum environment, both dispensing and degassing are possible at the same time, so air bubble-free dispensing is possible in the dispensing space.



➤ Discharge

Inlet Chamber

- Product input
- Quick movement/Discharge

Dispensing Chamber

- Constant vacuum
- Product recognition
- Material dispensing without air bubbles

Outlet Chamber

- Product ventilation
- Product discharge

DISPENSING SYSTEM Accessories



DISPENSING TIPS & NOZZLES

Plastic Hub Needle

- As a general-purpose needle with a hub made of PE with the dispensing unit (shaft) made of stainless steel that has a screw-type structure, it is perfect for fastening.

*Hub: PE, Pipe : Stainless Steel



Gauge	I.D (mm)	O.D (mm)	Color	PLASTIC HUB NEEDLE			
				Pipe length L=12.7mm	Pipe length L=25.4mm	Color	Pipe length L=6.35mm
				pkg Q'ty=100pcs			pkg Q'ty=50pcs
14G	1.75	2.10	● Dark Green	PN-14G-1/2	PN-14G-1	● Dark Green	PN-14G-1/4
15G	1.50	1.83	● Orange	PN-15G-1/2	PN-15G-1	● Brown	PN-15G-1/4
16G	1.33	1.65	● Lavender	PN-16G-1/2	PN-16G-1	—	—
17G	1.15	1.50	○ White	PN-17G-1/2	PN-17G-1	—	—
18G	0.97	1.27	● Pink	PN-18G-1/2	PN-18G-1	● Green	PN-18G-1/4
19G	0.78	1.08	● Brown	PN-19G-1/2	PN-19G-1	—	—
20G	0.66	0.90	● Yellow	PN-20G-1/2	PN-20G-1	● Pink	PN-20G-1/4
21G	0.57	0.81	● Yellow Green	PN-21G-1/2	PN-21G-1	● Purple	PN-21G-1/4
22G	0.47	0.72	● Black	PN-22G-1/2	PN-22G-1	● Blue	PN-22G-1/4
23G	0.40	0.64	● Light Blue	PN-23G-1/2	PN-23G-1	● Orange	PN-23G-1/4
24G	0.31	0.56	● Red	PN-24G-1/2	PN-24G-1	—	—
25G	0.29	0.51	● Blue	PN-25G-1/2	PN-25G-1	● Red	PN-25G-1/4
26G	0.25	0.46	● Beige	PN-26G-1/2	PN-26G-1	—	—
27G	0.20	0.41	● Gray	PN-27G-1/2	PN-27G-1	○ Clear	PN-27G-1/4
30G	0.14	0.32	● Purple	PN-30G-1/2	PN-30G-1	● Lavender	PN-30G-1/4
32G	0.11	0.25	● Yellow	PN-32G-1/2	—	—	—
34G	0.06	0.24	● Olive Green	PN-34G-1/2	—	—	—

Tapered Needle

- The needle can quickly dispense a large amount of liquid containing high-viscosity and powder particles.

*PE



Gauge	I.D(mm)	Color	TAPERED TIP	
			pkg Q'ty=50pcs	
14G	1.55±0.02	● Olive Green	TN-14G	
16G	1.20±0.02	● Gray	TN-16G	
18G	0.84±0.02	● Green	TN-18G	
20G	0.63±0.02	● Pink	TN-20G	
22G	0.41±0.02	● Blue	TN-22G	
25G	0.25±0.02	● Red	TN-25G	
27G	0.20±0.02	○ Clear	TN-27G	

Flexible Needle

- It is suitable for anaerobic materials that may damage parts. *Hub : PE, Pipe : PP



Gauge	I.D(mm)	O.D(mm)	Color	FLEXIBLE NEEDLE	
				Pipe length L=12.7mm	Pipe length L=25.4mm
				pkg Q'ty=50pcs	
14G	1.55	2.03	● Dark Green	FN-14G-1/2	FN-14G-1
15G	1.30	1.80	● Brown	FN-15G-1/2	FN-15G-1
18G	0.84	1.35	● Green	FN-18G-1/2	FN-18G-1
20G	0.60	1.02	● Pink	FN-20G-1/2	FN-20G-1
22G	0.40	0.81	● Blue	FN-22G-1/2	FN-22G-1
25G	0.30	0.81	● Red	FN-25G-1/2	FN-25G-1

DISPENSING TIPS & NOZZLES

Angled Needle

- A 45-degree angled needle suitable for dispensing at interference areas



ANGLED NEEDLE				
Gauge	I.D.(mm)	O.D.(mm)	Color	Pipe length L=12.7mm
				pkg Qty=50pcs
14G	1.75	2.10	● Dark Green	AN-14G-45
15G	1.50	1.83	● Brown	AN-15G-45
18G	0.97	1.27	● Green	AN-18G-45
20G	0.66	0.90	● Pink	AN-20G-45
21G	0.57	0.81	● Purple	AN-21G-45
22G	0.47	0.72	● Blue	AN-22G-45
23G	0.40	0.64	● Orange	AN-23G-45
25G	0.29	0.51	● Red	AN-25G-45
27G	0.20	0.41	○ Clear	AN-27G-45
30G	0.14	0.32	● Lavender	AN-30G-45

Metal Needle

- As a general-purpose needle with a hub made of metal and the dispensing unit (shaft) made of stainless steel that has a two-ear type structure, it is perfect for fastening. *Hub : Brass, Pipe : SUS304



METAL NEEDLE				
Gauge	I,D (mm)	O,D (mm)	Pipe length L=13mm	Pipe length L=6.5mm
			pkg Qty=12pcs	
12G	2.40	2.76	MN-12G-1/2	PN-12G-1/4
13G	1.99	2.40	MN-13G-1/2	MN-13G-1/4
14G	1.50	1.82	MN-14G-1/2	PN-14G-1/4
15G	1.37	1.82	MN-15G-1/2	PN-15G-1/4
16G	1.20	1.63	MN-16G-1/2	PN-16G-1/4
17G	1.04	1.50	MN-17G-1/2	PN-17G-1/4
18G	0.84	1.27	MN-18G-1/2	PN-18G-1/4
19G	0.70	1.05	MN-19G-1/2	PN-19G-1/4
20G	0.60	0.91	MN-20G-1/2	PN-20G-1/4
21G	0.51	0.82	MN-21G-1/2	PN-21G-1/4
22G	0.41	0.71	MN-22G-1/2	PN-22G-1/4
23G	0.33	0.63	MN-23G-1/2	PN-23G-1/4
24G	0.30	0.56	MN-24G-1/2	PN-24G-1/4
25G	0.25	0.52	MN-25G-1/2	PN-25G-1/4
26G	0.24	0.45	MN-26G-1/2	PN-26G-1/4
27G	0.20	0.41	MN-27G-1/2	PN-27G-1/4
28G	0.19	0.39	MN-28G-1/2	PN-28G-1/4
30G	0.15	0.31	MN-30G-1/2	PN-30G-1/4

Brush Needle

- A brush mainly used for dispensing on the surface and in a wide range, it's made of an anti-static material that does not come off easily.

It can be applied to a wide range of liquids such as base, coating material, lubricant, solvent, heat dissipation box, silicone, ink, etc.



BRUSH NEEDLE (L=42mm)				
Diameter of Brush	Gauge of Needle	Brush Type		Material of Brush
		Shpae	Hardness(Color)	
4mm	14G,15G,18G, 21G,23G,25G	Round	Soft(white), Hard(light brown)	PP
5mm		Round, Flat		
6mm		Round, Flat		
7mm		Flat		

* There are various models according to width, length, shape, and hardness of the needle gauges/brushes. Please consult with our sales manager to select according to your needs.

Needle Guide

- The role of holding and fixing a needle. Divided by gauge/needle type.

Special material needle guides can also be manufactured.

Please consult with our sales manager.

*SUS304



PN type	MN type	TN type
PNG-13G, PNG-14G, PNG-15G, PNG-16G	MNG-21G, MNG-22G	TNG-14G, TNG-16G
PNG-17G, PNG-18G, PNG-19G, PNG-20G	MNG-23G, MNG-24G	TNG-18G, TNG-20G
PNG-21G, PNG-22G, PNG-23G, PNG-24G	MNG-25G, MNG-26G	TNG-22G, TNG-25G
PNG-25G, PNG-26G, PNG-27G, PNG-30G	MNG-27G	TNG-27G

DISPENSING TIPS & NOZZLES

PreCision Nozzle

- Taeha's precision nozzle uses a ceramic tip to increase the reliability of precision and is very excellent in realizing ultra-fine dispensing.

1) **PCNA** : A separated structure of hub and nozzle tip. When the nozzle is clogged or damaged, only the tip can be replaced.

PCNA



2) **PCNB** : It is a tapered type with an integral structure of the hub and the nozzle tip. It is excellent in liquid fluidity and enables ultra-precise dispensing.

PCNB



3) **PCNC** : The screw-type fastening part and the integral structure of the HUB and the nozzle tip provide convenience when it is connected with other parts while simultaneously enabling ultra-precise dispensing.

PCNC



PRECISION NOZZLE					
Nozzle Tip	I.D(mm)	O.D(mm)	PCNA	PCNB	PCNC
Ceramic	0.07	0.15	PCNA-007	PCNB-007	PCNC-007
	0.10	0.20	PCNA-010	PCNB-010	PCNC-010
	0.15	0.25	PCNA-015	PCNB-015	PCNC-015
	0.20	0.30	PCNA-020	PCNB-020	PCNC-020
	0.25	0.35	PCNA-025	PCNB-025	PCNC-025
	0.30	0.40	PCNA-030	PCNB-030	PCNC-030
	0.35	0.45	PCNA-035	PCNB-035	PCNC-035
	0.40	0.50	PCNA-040	PCNB-040	PCNC-040
	0.45	0.55	PCNA-045	PCNB-045	PCNC-045
SUS	0.60	0.70	PCNA-060	-	-
	0.70	0.80	PCNA-070	-	-
	0.80	0.90	PCNA-080	-	-
	1.00	1.10	PCNA-100	-	-
	1.20	1.30	PCNA-120	-	-

*Hub : SUS303, Tip : Ceramic, SUS303

2-PIN/3-PIN Needle



- It is possible to dispense at two or three points at the same time, increasing the efficiency of the dispensing time and process. Pipe can be manufactured depending on the inner diameter and length of the pipe according to customers' requirements. Please consult with our sales manager.

*Material : Hub-Brass, Pipe-SUS304

Model

2MN - □ G - □

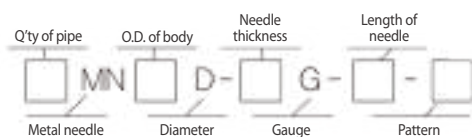
3MN - □ G - □

Shower Needle



- It is a needle used for simultaneous multi-point dispensing. It is possible for customers to determine the inner diameter, length, and position of the pipe according to the dispensing process. Please consult with our sales manager.

Model

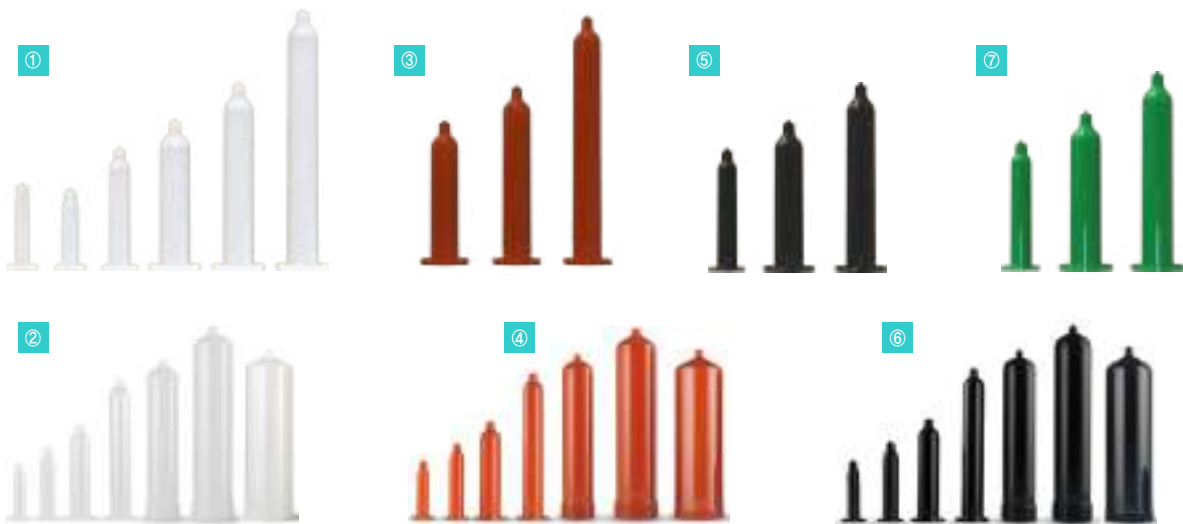


BARREL & ACCESSORIES

Barrel

- This dispensing container is used by filling the liquid to be dispensed. The material is made of polypropylene and the UV protective barrel is suitable for UV-curing liquids.

Item	no.	Capacity		3cc	5cc	10cc	30cc	50cc	55cc	70cc	100cc	200cc	300cc
		Type											
Clear Barrel	①	TAEHA	TB-03J	TB-05J	TB-10	TB-30	TB-50	-	TB-70	-	-	-	-
	②	TAEHA-P	-	TB-05P	TB-10P	TB-30P	-	TB-55P	-	TB-100P	TB-200P	TB-300P	-
UV Barrel (Color : Amber)	③	TAEHA	-	-	-	TB-30UV-R	TB-50UV-R	-	TB-70UV-R	-	-	-	-
	④	TAEHA-P	-	TB-05P-P	TB-10P-P	TB-30P-P	-	TB-55P-P	-	TB-100P-P	TB-200P-P	TB-300P-P	-
UV Barrel (Color : Black)	⑤	TAEHA	-	-	TB-10UV-B	TB-30UV-B	TB-50UV-B	-	-	-	-	-	-
	⑥	TAEHA-P	-	TB-05P-B	TB-10P-B	TB-30P-B	-	TB-55P-B	-	TB-100P-B	TB-200P-B	TB-300P-B	-
UV Barrel (Color : Green)	⑦	TAEHA	-	-	TB-10UV-G	TB-30UV-G	TB-50UV-G	-	-	-	-	-	-
Heat Resistance Barrel	⑧	TAEHA	-	-	-	HRB-30I	HRB-50	-	-	HRB-100	-	-	-
			-	-	-	HRB-30E	-	-	-	-	-	-	-
SUS BARREL	⑨	TAEHA	-	-	TSB-10	TSB-30	TSB-50	-	-	-	-	-	-



<Specification : ①, ③, ⑤, ⑦>

Capacity	O.D(mm)	Length(mm)	MOQ(pcs)
3cc	11.3	75.0	50
5cc	14.5	70.0	50
10cc	18.0	106.0	50
30cc	26.0	130.0	50
50cc	26.0	165.0	50
70cc	26.0	240.0	25

<Specification : ②, ④, ⑥>

Capacity	O.D(mm)	Length(mm)	MOQ(pcs)
5cc	14.8	70.0	50
10cc	18.7	92.5	50
30cc	25.6	118.0	50
55cc	25.9	175.0	50
100cc	36.7	191.5	10
200cc	44.5	230.0	10
300cc	54.9	201.5	10

⑧ Heat Resistance Barrel



The high-temperature liquid at the heat-resistant temperature of 170°C can be used more safely and applied to paraffin or hot melt.

Model	O.D(mm)	Length (mm)	MOQ (pcs)
HRB-30I	26.0	129.4	10
HRB-30E	26.3	129.8	10
HRB-50	26.3	161.6	10
HRB-100	37.2	194.0	10

⑨ SUS Barrel(Stainless steel Barrel)



Use only High-temperature/High-pressure Barrel & Adapter head of special-made.

Temperature : 200°C

Model	O.D (mm)	Length (mm)	MOQ (pcs)
TSB-10	18.0	111.0	1
TSB-30	26.0	127.5	1
TSB-50	26.0	175.5	1
TSB-70	26.0	223.5	1

BARREL & ACCESSORIES

Item	no.	Type	Capacity										
			3cc	5cc	10cc	30cc	50cc	55cc	70cc	100cc	200cc	300cc	
Plunger	①	TAEHA	STD	PP-03J	PP-05J	PP-10	PP-30		-	PP-30	-	-	-
			High viscous	-	-	-	PPR-30		-	PPR-30	-	-	-
		TAEHA-P	-	PP-05P	PP-10P	PP-30P	-	PP-30P	-	PP-100P	PP-200P	PP-300P	
Barrel Cap	②	TAEHA	STD	TC-03J	TC-05J	TC-10	TC-30		-	TC-30	-	-	-
			UV Green	-	-	TC-10G	TC-30G		-	TC-30G	-	-	-
			UV Black	-	-	-	TC-30B		-	TC-30B	-	-	-
		TAEHA-P	-	TC-05P	TC-10P	TC-30P	-	TC-30P	-	TC-100P	TC-200P	TC-300P	
		Heat Resistance Barrel	-	-	-	TC-HRB30I	-	-	-	TC-HRB100	-	-	
Adapter Ass'y	③	TAEHA	Head only	AH-03	AH-05	AH-10	AH-30		-	AH-30	-	-	-
			Assembly	AA-03N	AA-05N	AA-10N	AA-30N		-	AA-30N	-	-	-
		TAEHA-P	Head only	-	AH-05P	AH-10P	AH-30P	-	AH-30P	-	AH-100P	AH-200P	AH-300P
			Assembly	-	AA-05P	AA-10P	AA-30P	-	AA-30P	-	AA-100P	AA-200P	AA-300P
End Tip	④	TAEHA	**TC-02 / TC-02G / TC-02B / TC-02N / TC-02NB						-	**	-	-	-
		TAEHA-P	-	TC-02P			-	TC-02P					
		Heat Resistance Barrel	-	-	-	TC-02HRB	-	-	-	TC-02HRB	-	-	

① Plungers



- Used to push the liquid contained in the barrel to deliver uniform air pressure.

*Material : PE
*MOQ : 50pcs

② Barrel Cap



- Used to seal the upper part of the barrel and store the remaining liquid.

*Material : PE
*MOQ : 50pcs

③ Adapter Assembly



- Used to supply air from the dispensing controller to the barrel.

*Material : Head(POM)
Hose(Soft PVC)
Oring(Silicone)
*MOQ : 1pcs

Barrel Stand



- Used to store the barrel upright during dispensing.

*Material : Steel
*MOQ : 1pcs

④ End Tip



- Used when the lower part of the barrel is sealed and the remaining liquid needs to be stored or transported.

*Material : PE
*MOQ : 50pcs

Barrel Switch



- Used when the operator turns on/off dispensing by attaching a switch to the barrel.

*MOQ : 1pcs

CARTRIDGE & ACCESSORIES

Item	no.	Capacity Type color	170cc(6oz)			340cc(12oz)			650cc(20oz)			1000cc(32oz)		
			Natural	Amber	Black	Natural	Amber	Black	Natural	Amber	Black	Natural	Amber	Black
TAEHA type	①	Cartridge	C-170	C-170A	C-170B	C-340	C-340A	C-340B	C-650	C-650A	C-650B	C-1000	C-1000A	C-1000B
	③	Plunger	CP-06BK(Black) CP-06RD (Red)			CP-12BK(Black) CP-12RD (Red)			CP-2032					
	④	Cap	CC-01						CC-02					
	⑤	Plug	CG-01RD(Red), CG-01BU(Blue)											
	⑥	C.Holder Set	CH-170			CH-340			CH-650			CH-1000		
	⑥	C.Holder Body	CH-170-BD			CH-340-BD			CH-650-BD			CH-1000-BD		
	⑥	C.Holder Cap	CH-170-CAP						CH-650-CAP					
TAEHA-S type	②	Cartridge	C-170S	-	-	C-340S	-	-	C-650S	-	C-650S-B	C-1000S	-	C-1000S-B
	③	Plunger	CP-01S (White)						CP-02S (White)					
	④	Cap	CC-01S						CC-02S					
	⑤	Plug	CG-01S(Red)											
	⑥	C.Holder Set	CH-170			CH-340			CH-650S			CH-1000S		
	⑥	C.Holder Body	CH-170-BD			CH-340-BD			CH-650S-BD			CH-1000S-BD		
	⑥	C.Holder Cap	CH-170-CAP						CH-650-CAP					

Cartridge

Suitable when the amount of material used is large. It is disposable and has the capacities of 6, 12, 20 and 32 oz. It can be used for material storage and a variety of applications, and it is applicable to both pneumatic and manual dispensing systems.

*Material : PE

①



Model	O.D(mm)	Length(mm)	MOQ(pcs)	Model	O.D(mm)	Length(mm)	MOQ(pcs)
C-170	43.0	180.0	10pcs /pkg	C-650	68.0	249.0	10pcs /pkg
C-170A				C-650A			
C-170B				C-650B			
C-340	42.9	310.0		C-1000	68.4	347.0	
C-340A				C-1000A			
C-340B				C-1000B			

②



Model	O.D(mm)	Length(mm)	MOQ(pcs)
C-170S	43.0	178.0	10pcs /pkg
C-340S	43.0	310.8	
C-650S	74.5	250.0	
C-650S-B			
C-1000S	74.8	352.0	
C-1000S-B			

③ Cartridge Plunger



- Designed to fit the cartridge for perfect dispensing, it is used to push the material inside the cartridge cleanly without waste.

*Material : PE
*MOQ : 10pcs

④ Cartridge Cap



- The cartridge caps and plugs are used to fix plungers in the cartridge during transportation or storage and to seal the upper/lower part of the cartridge.

*Material : PE
*MOQ : 10pcs

⑤ Cartridge Plug



⑥ Cartridge Holder

- The cartridge holder set (composed of a holder body and a holder cap) is used to protect the cartridge and it is designed to withstand a pressure up to 0.7 MPa.

*Material : AL
*MOQ : 1pcs



CARTRIDGE & ACCESSORIES

Sealant Cartridges



- The system is made to be used by directly applying a 330-gram sealant cartridge container that is commercially available. Different adapters are used according to the manufacturers of the cartridges to be used. Please consult with our sales manager.

*Material : AL
*MOQ : 1pcs



Material maker	Model			Spec.
	Cartridge	QUICK type	STD type	
Henkel, Shinetsu, CLS, KCC (Korea)		QSA01 QSA-01-CHK 	SA01 	M15 x P2.5
Dow(TORAY), Shinetsu, Three bond (Japan)		QSA02 	SA02 	M21 x P2.0
Dow (US)		QSA03 		NPT 1/4
	Material	Teflon	Steel	

Cartridge Elbow



- Use to connect cartridge and valve

*Material : Nylon, SUS
*MOQ : 1pcs

Tube Adapter



- Applying an adapter to a tube-type container prevents the material from flowing at the needle.

*Material : POM
*MOQ : 1pcs

Regulator



- It is used to adjust the air pressure supplied to the pressure tank and cartridge. It is a one-touch type, so it is easy to connect and disconnect.

(G : General type, P : Precise type)

Model	Spec
TRS-04	G-Medium pressure type, 0~0.4Mpa
TRS-07	G-High pressure type, 0~0.7Mpa
TRS-04P	P-Medium pressure type, 0~0.4Mpa
TRS-07P	P-High pressure type, 0~0.7Mpa

Connector Tube



- It is used to supply air pressure from the controller to the cartridge or valve. It is a one-touch type, so it is easy to connect and disconnect.

*Tube Length : 1.2m
(custom-made on demand)

Cartridge Holder Clamp



- It is a clamp to fix the general cartridge holder and the sealant cartridge holder to the stand.

*Material : AL
*MOQ : 1pcs

Cartridge Stand



- It is a stand that can be fixed by variously adjusting the direction and height of the barrel, cartridge holder, valve, etc.

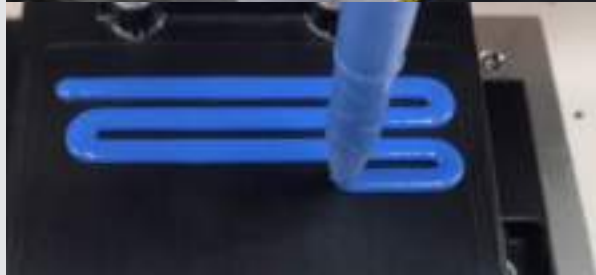
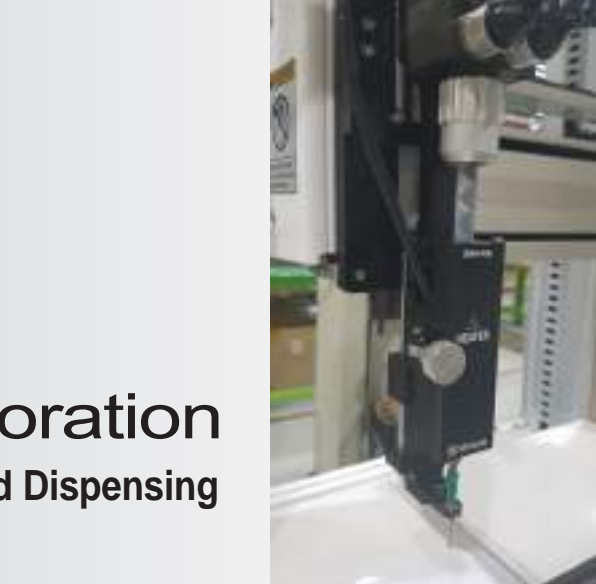
*Material : Steel

OTHERS ACCESSORIES



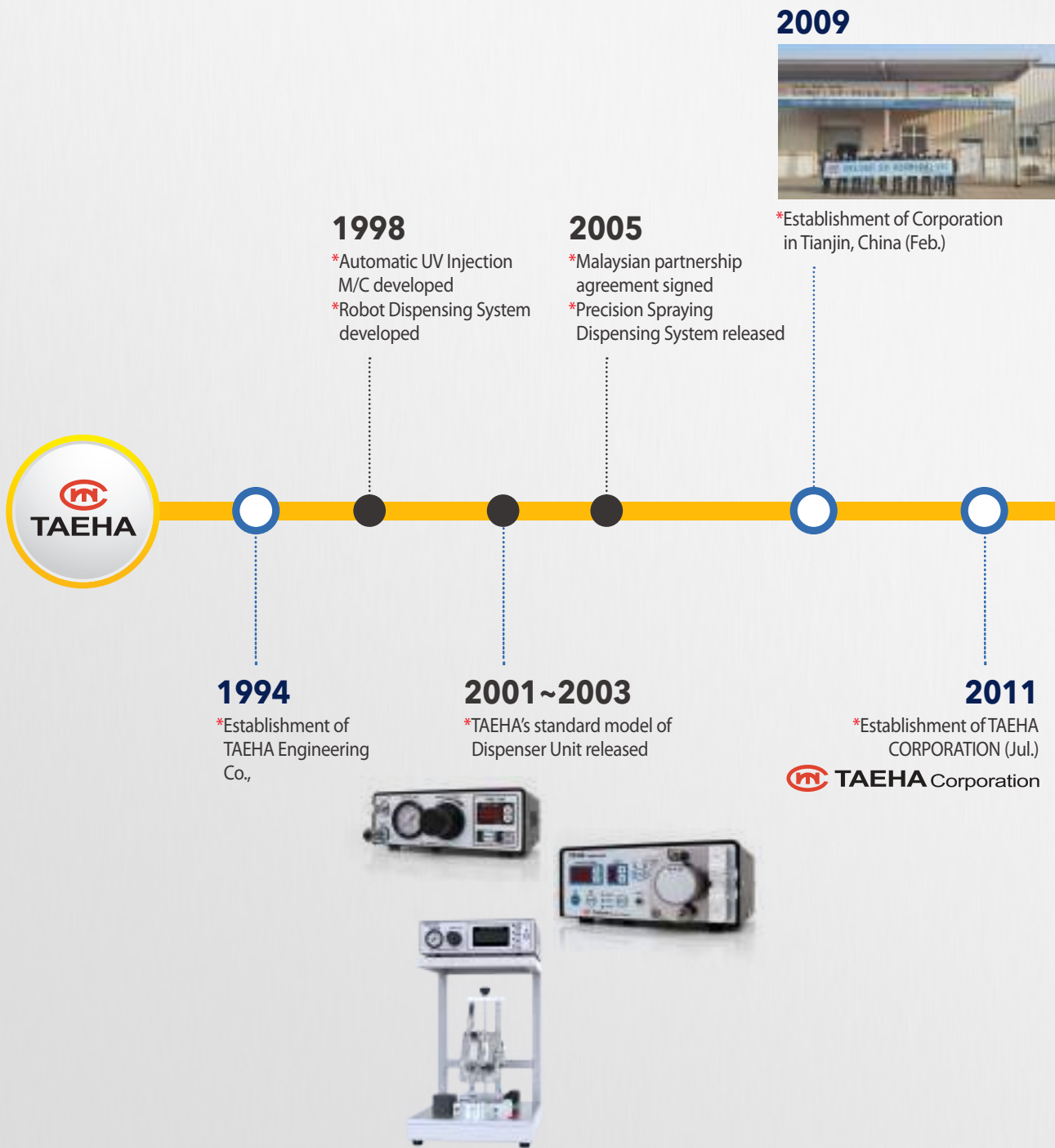
No.	PART NAME	PART#	DESCRIPTION	MATERIAL	REMARK
1	NEEDLE ADAPTER	NA-T1-SUS	BSPT1/8	SUS303	
2	NEEDLE ADAPTER	NA-T2-SUS	BSPT1/4	SUS303	
3	NEEDLE ADAPTER	NA-M5-SUS	M5	SUS303	
4	NEEDLE ADAPTER	NA-T2-CHK	BSPT1/4 CHECK V/V TYPE	SUS303	
5	NEEDLE ADAPTER	NA-H4	BARB TYPE Ø6 HOSE	SUS303	
6	NEEDLE ADAPTER	NA-H2	BARB TYPE Ø4 HOSE	SUS303	
7	NEEDLE ADAPTER	NA-T1-H2	BSPT1/8, Ø4 TEFLON HOSE	SUS303	Sleeve, Nut
8	NEEDLE ADAPTER	NA-LL	LUER LOCK TYPE	SUS303	
9	NEEDLE ADAPTER	SNA-T1-SUS	TO SHOWER NEEDLE, BSPT1/8	SUS303	
10	NEEDLE ADAPTER	SNA-T2-SUS	TO SHOWER NEEDLE, BSPT1/4	SUS303	
11	LUER LOCK ADAPTER	LLA-T1	LUER LOCK TYPE, BSPT1/8	SUS303	
12	LUER LOCK ADAPTER	LLA-T2	LUER LOCK TYPE, BSPT1/4	SUS303	
13	LUER LOCK ADAPTER	LLA-H4	LUER LOCK TYPE, Ø6 HOSE	SUS303	
14	LUER LOCK ADAPTER	LLA-T1-H2	LUER LOCK TYPE, BSPT1/8, Ø4 HOSE	SUS303	Sleeve, Nut
15	LUER LOCK ADAPTER	LLA-H2	LUER LOCK TYPE, Ø4 HOSE	SUS303	
16	AUTO JOINTER	PH-H2	PLUG, Ø4-2.5 AIR HOSE	SUS303	
17	AUTO JOINTER	PH-H3	PLUG, Ø6-3.5 AIR HOSE	SUS303	
18	AUTO JOINTER	PH-H4	PLUG, Ø6-4 AIR HOSE	SUS303	
19	AUTO JOINTER	PM-T2	PLUG, BSPT1/4	SUS303	
20	AUTO JOINTER	SHN-H4	SOCKET, FEMALE, Ø6-4 AIRHOSE	SUS303	SOCKET SEAL : VITON
21	AUTO JOINTER	SM-T2	SOCKET, FEMALE, BSPT1/4	SUS303	SOCKET SEAL : VITON
22	CHECK VALVE	CHK-LL-SUS	CHECK V/V, LUER LOCK TYPE	SUS303	
23	CHECK VALVE	CHK-LL-PEEK	CHECK V/V, LUER LOCK TYPE	PEEK	
24	CARTRIDGE ADAPTER	CA-T3	BSPT3/8	POM	
25	CARTRIDGE ADAPTER	CA-NT2-POM	NPT 1/4	POM	
26	CARTRIDGE ADAPTER	CA-LL	CARTRIDGE to BARREL	POM	
27	BARREL to BARREL ADAPTER	-	BARREL to BARREL	ACETAL	

**Automotive
Bio
Electronic
Electrical
Chemical
Cosmetic
Display
Machinery
Semiconductor**



 **TAEHA Corporation**
Professional Quality in Liquid Dispensing

HISTORY



2014



- *Establishment of Branch in Shenzhen, China (Aug.)
- *Designated as Promising Gyeonggi-do Small and Medium Enterprise
- *Acquired 2 cases of Patent, 2 products of Trademark registration
- *Acquired 2 cases of New Design for Practical Use



2017~2019



- *Completed construction of TAEHA NANO CENTER (Jan. 2017)
- *Designated as Gyeonggi-do Good Work Place (2017)
- *Won Environment-friendly Building Award in Namyangju (NANO CENTER, 2018)
- *Participated Germany Hannover Messe (2018)
- *Designated Korea Gyeonggi-do Best Company for Women's Employment (2018)
- *Designated Promising Export Small and Medium Enterprise (2019)
- *The 25th Anniversary of establishment



2012



- *Relocation of new office building (Namyangju-si, Kyonggido)

2013

PRO PUMP[®] CE



- *Developed and patent application of PRO-PUMP
- *\$3 Million Export Tower Awarded
- *Designated as Gyeonggi-do Good Work Place



2016



- *Establishment of Branch in Gumi, Korea (Feb.)
- *Won the 50th Korean Engineer Award (RND center)
- *Won Outstanding Material Developer Award (CEO)



2020~

- *Continue to become a promising global company

TAEHA Global Network



TAEHA Corporation Head Office, Nano Center, Gumi Branch



Overseas Corporation, Branch



Global Sales Partner

Head Office

3 Benangil, 661 Surero, Wabu-eup, Namyangju-si, Gyeonggi-do, Korea 12202
Tel : +82-31-552-5300 Fax : +82-31-552-5400



- ◀ Management Strategy Dept.
- ◀ Technical Sales Dept.
- ◀ Production 1 Dept.
- ◀ Application Business Dept.
- ◀ Manufacture Technique Dept.
- ◀ Quality Renovate Dept.

Nano Center / R&D Center

20-2, 640 Surero, Wabu-eup, Namyangju-si, Gyeonggi-do, Korea 12202
Tel : +82-31-552-5944 Fax : +82-31-552-5922



- ◀ R&D Center.
- ◀ Production 2 Dept.
- ◀ Quality Renovate Dept.



Gumi Branch	Rm#807 Halla-sigma valley, 212 1-Gongdanro, Gumi-si, Gyeongbuk, Korea 39379 Tel : +82-54-463-0014 Fax : +82-54-463-0017
Tianjin Taeha Corporation	28 Saida 4 Zhi Lu, Xiqing-qu, Tianjin, China 300385 Tel : +86-22-2388-8851 Fax : +86-22-2388-8853
Shenzhen Branch	Rm#1006 Yicaifu Zhongxin, 9 Zhongxinlu, Gaofengshe-qu, Dalang St.,Longhuaxin-qu, Shenzhen, China 51810 Tel : +86-755-2373-3819
Vietnam Branch	Open in 2021

Website : www.taehacorp.com E-mail : taeha@taehacorp.com

INNOVATE PRECISION DISPENSING TECHNOLOGY



Head Office

3 Benangil, 661 Surero, Wabu-eup, Namyangju-si,
Gyeonggi-do, Korea 12202
Tel : +82-31-552-5300 Fax : +82-31-552-5400

Nano Center / R&D Center

20-2, 640 Surero, Wabu-eup, Namyangju-si,
Gyeonggi-do, Korea 12202
Tel : 82-31-552-5944 Fax : +82-31-552-5922

Gumi Branch

Rm#807 Halla-sigma valley, 212 1-Gongdanro, Gumi-si,
Gyeongbuk, Korea 39379
Tel : +82-54-463-0014 Fax : +82-54-463-0017

Tianjin Taeha Corporation

28 Saida 4 Zhi Lu, Xiqing-qu, Tianjin, China 300385
Tel : +86-22-2388-8851 Fax : +86-22-2388-8853

Shenzhen Branch

Rm#1006 Yicaifu Zhongxin, 9 Zhongxinlu, Gaofengshe-qu,
Dalang St., Longhuaxin-qu, Shenzhen, China 51810
Tel : +86-755-2373-3819

Website : www.taehacorp.com

E-mail : taeha@taehacorp.com

© 2021. TAEHA CORPORATION All rights reserved.
v2021JAN.EN

※ This catalog is printed with eco-friendly paper