

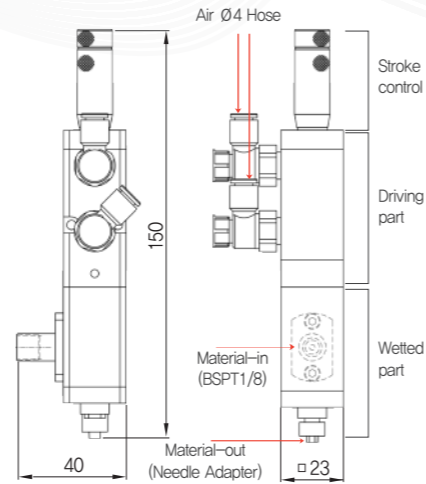
Plunger Valve

**PP-015**



- Features
  - A volumetric valve for high precision dispensing.
  - Installed micrometer for fine regulating of shot volume
- Applicable Material
  - Low~ medium viscosity material
- Specifications

Dimension(mm)	□ 23.0 x L150.0
Weight	320g
Driving Air Pressure	More than 0.4MPa
Material Feeding Pressure	Max. 0.03MPa (Spring : 0.3mm)
	Max. 0.12MPa (Spring : 0.5mm)
Shot Volume	0.05~0.15cc
Port Size	Air_IN □4 Hose
	Material_IN BSPT 1/8
	Material_OUT LUER LOCK(male)
Driving Part Material	Aluminum
Wetted Part Material	SUS303



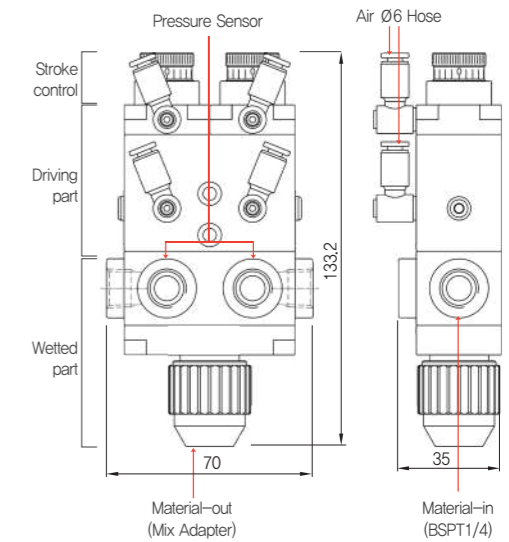
Twin Dispensing Valve

**TDV-300T**



- Features
  - Multi-purpose air pressure operated valve with a dedicated poppet type valve for a wide range of viscosity
  - Due to excellent snuff-back structure, less ball-up effect after dispensing
  - Mixing ratio of resin and hardener -> 1:1, 2:1, 4:1 and 10:1
- Applicable Material
  - Low~high viscosity material
- Specifications

Dimension(mm)	W70.0 x D35.0 x H133.2
Weight	530g
Driving Air Pressure	More than 0.4MPa
Material Feeding Pressure	Max. 0.6MPa
Port Size	Air_IN □6 HOSE
	Material_IN BSPT 1/4
	Material_OUT MIX ADAPTER
Flux (KV value)	2.9L/min
Driving Part Material	Aluminum
Wetted Part Material	Aluminum



Metering Spool Valve

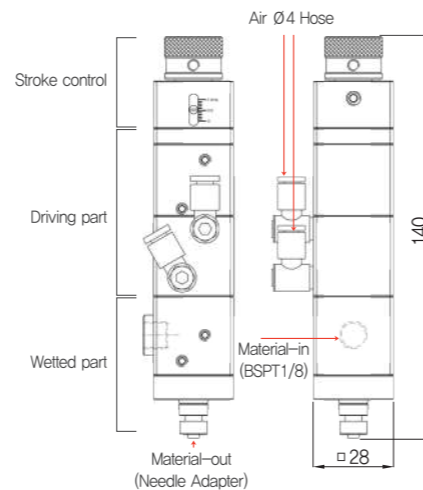
**MSV-1**

Excellent performance of fine dispensing with collaboration of metering chamber and high-pressure valve



- Features
  - A metering valve for high precision dispensing (accuracy ±1%)
  - Excellent durability due to special seal structure
  - Easy regulating the flux, Due to excellent snuff-back structure
  - Less ball-up effect after dispensing
- Applicable Material
  - Low~ medium viscosity material
- Specifications

Dimension(mm)	□ 28.0 x L140.0
Weight	280g
Driving Air Pressure	More than 0.4MPa
Material Feeding Pressure	Min. 2.5MPa, Max.15.0MPa
Shot Volume	0.02cc
Port Size	Air_IN □4 Hose
	Material_IN BSPT 1/8
	Material_OUT LUER LOCK(male)
Driving Part Material	Aluminum
Wetted Part Material	Aluminum



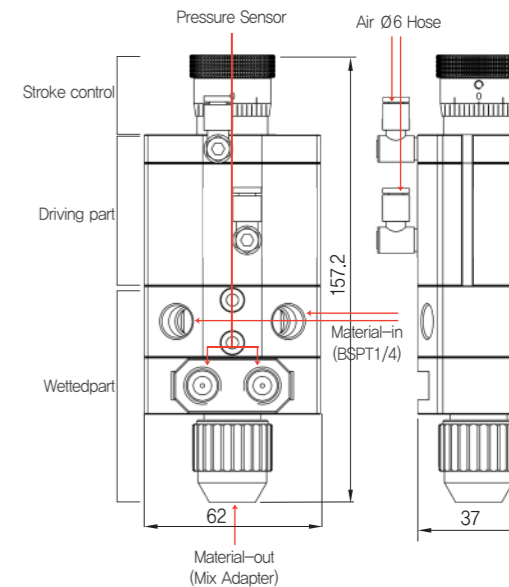
Double Dispensing Valve

**DDV-300**



- Features
  - Multi-purpose air pressure operated valve with a dedicated poppet type valve for a wide range of viscosity
  - Due to excellent snuff-back structure, less ball-up effect after dispensing
  - Mixing ratio of resin and hardener -> 1:1 only
- Applicable Material
  - Low~high viscosity material
- Specifications

Dimension(mm)	W62.0 x D37.0 x H157.2
Weight	690g
Driving Air Pressure	More than 0.4MPa
Material Feeding Pressure	Max. 0.6MPa
Port Size	Air_IN □6 HOSE
	Material_IN BSPT 1/4
	Material_OUT MIX ADAPTER
Flux (KV value)	2.9L/min
Driving Part Material	Aluminum
Wetted Part Material	Aluminum



Metering Plunger Valve

**MPV-01**

Excellent performance of fine dispensing with collaboration of metering chamber of plunger type and ball-valve



- Features
  - High precision dispensing (accuracy ±1%)
  - Applicable to wide range of viscosity(10,000~500,000cps)
  - Metering chamber can be dispensed consistently regardless of viscosity or air pressure
  - Vent knob removes air bubbles in the metering chamber and allows fine dispensing
- Applicable Material
  - High~ medium viscosity material
- Specifications

Dimension(mm)	□ 25.0 x L121.0
Weight	280g
Driving Air Pressure	More than 0.5MPa
Material Feeding Pressure	Min. 0.2MPa, Max. 3.0MPa
Shot Volume	0.005cc
Port Size	Air_IN □4 Hose
	Material_IN BSPT 1/8
	Material_OUT LUER LOCK(male), BSPT 1/8
Driving Part Material	Aluminum
Wetted Part Material	SUS303

